

COMPRESSION SPRINGS – 316 STAINLESS STEEL

Stock sizes in 316 stainless steel

Associated Spring Raymond now offers a complete line of 316 Stainless Steel compression springs. 316 Stainless steel provides superior temperature and corrosion resistance, which makes it particularly suitable for:

- Medical, surgical, veterinary and pharmaceutical applications
- Food and food preparation machinery and equipment
- Marine, aircraft and aerospace uses
- Harsh environment projects

Materials

Stainless Steel: Type 316 per ASTM A313 (Chemical and Physical only)

Stainless steel is not recommended above 300 degrees C. (570 degrees F).

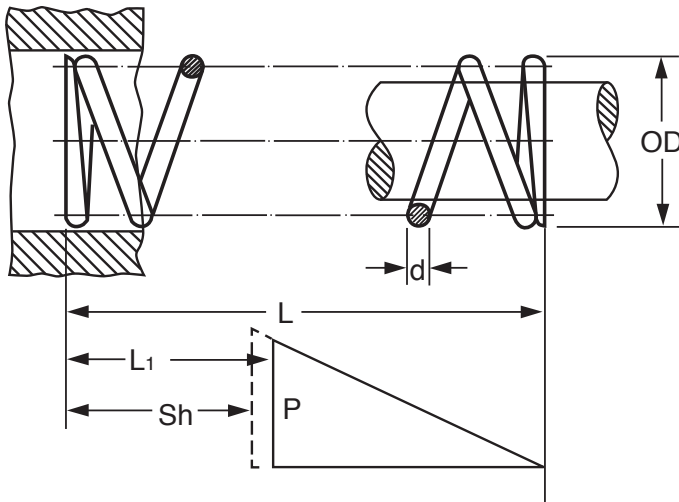
Stainless steel 316 is **slightly magnetic** due to cold working during manufacturing. Stainless steel springs may have a slight residue of nickel on the surface of the wire. This is normal and will not affect the function of the part.

Wire diameter is prior to forming.

No charge for certificate of compliance when requested; certificate of chemical analysis also available (an additional charge applies).

Coil Direction (helix)

Right hand. Coil count is for reference only.



- OD = Outside diameter
- d = Wire diameter
- Sh = Approx Solid Height
- L = Free length (reference use only)
- L₁ = Loaded length (minimum working length)
- P = Load at L₁

Free Length

Free length is reference only.

Ends

O.D. sizes from 0.057-0.088in (1.45-2.24mm): squared not ground.
O.D. sizes from 0.120-1.937in (3.05-49.20mm): squared and ground.
However springs with wire diameter $\leq 0.020"$ (.5mm) may be squared not ground.

Tolerances

O.D. English	O.D. Metric
0.057 to 0.119" +/- 0.003"	1.45 to 3.02 mm +/- 0.08 mm
0.120 to 0.240" +/- 0.005"	3.05 to 6.10 mm +/- 0.13 mm
0.241 to 0.500" +/- 0.008"	6.12 to 12.70 mm +/- 0.20 mm
0.501 to 1.000" +/- 0.015"	12.73 to 25.40 mm +/- 0.38 mm
1.001 to 1.225" +/- 0.020"	25.43 to 31.12 mm +/- 0.51 mm
1.226 to 1.460" +/- 0.030"	31.14 to 37.08 mm +/- 0.76 mm
1.461 to 2.000" +/- 0.040"	37.11 to 50.80 mm +/- 1.02 mm

Loads & Spring Rate

Load P at L₁ and spring rate R are +/- 10.0% – load at any other point is for reference only.

For normal service, springs should not be compressed below L₁ (may take set beyond L₁). Load values at lengths other than L₁, can be approximated by multiplying the proposed deflection by the rate R. $P = (L - L_x) \times R$ where L_x is the new load height. Load at L_x should be reference only. Contact our engineering department if more stringent requirements are needed.

Surface Finish

Plain wire, passivated per ASTM A967

Special finishes available upon request. See page 312 for alternative finishes.

Packaging

Parts are bulk-packed. Due to physical characteristics, tangling can occur during transit on wire sizes under .035" (.89mm). Please inquire about ultrasonic cleaning and special packaging when ordering.

316 STAINLESS STEEL

Catalog Number	Outside Diameter (OD)		Wire Diameter (d)		Free Length (L) Approx.		Load Length (L1)		Solid Height (Sh) Approx.		Load (P) at L1		Spring Rate (R)		
	in	mm	in	mm	in	mm	in	mm	in	mm	lb	N	lb/in	N/mm	
C0057-006-0120-X					0.120	3.05	0.082	2.07	0.044	1.12				3.2	0.56
C0057-006-0190-X					0.190	4.83	0.124	3.14	0.060	1.52				1.8	0.32
C0057-006-0250-X					0.250	6.35	0.159	4.03	0.075	1.91				1.3	0.23
C0057-006-0310-X					0.310	7.87	0.197	5.02	0.088	2.24				1.1	0.19
C0057-006-0380-X			0.006	0.15	0.380	9.65	0.247	6.27	0.100	2.54	0.12	0.53		0.9	0.16
C0057-006-0440-X					0.440	11.18	0.277	7.05	0.118	3.00				0.8	0.13
C0057-006-0500-X					0.500	12.70	0.317	8.06	0.130	3.30				0.7	0.12
C0057-006-0560-X					0.560	14.22	0.377	9.58	0.129	3.28				0.7	0.12
C0057-006-0620-X					0.620	15.75	0.411	10.44	0.142	3.61				0.6	0.10
C0057-007-0120-X					0.120	3.05	0.087	2.21	0.053	1.35				5.8	1.02
C0057-007-0190-X					0.190	4.83	0.133	3.37	0.074	1.88				3.3	0.58
C0057-007-0250-X					0.250	6.35	0.176	4.47	0.089	2.26				2.6	0.45
C0057-007-0310-X					0.310	7.87	0.214	5.44	0.108	2.74				2.0	0.35
C0057-007-0380-X	0.057	1.45	0.007	0.18	0.380	9.65	0.259	6.58	0.130	3.30	0.19	0.85		1.6	0.28
C0057-007-0440-X					0.440	11.18	0.305	7.74	0.143	3.63				1.4	0.25
C0057-007-0500-X					0.500	12.70	0.347	8.81	0.158	4.01				1.3	0.22
C0057-007-0560-X					0.560	14.22	0.383	9.73	0.179	4.55				1.1	0.19
C0057-007-0620-X					0.620	15.75	0.428	10.88	0.188	4.78				1.0	0.18
C0057-008-0120-X					0.120	3.05	0.093	2.36	0.061	1.55				10.4	1.82
C0057-008-0190-X					0.190	4.83	0.143	3.63	0.086	2.18				6.0	1.05
C0057-008-0250-X					0.250	6.35	0.186	4.72	0.106	2.69				4.4	0.77
C0057-008-0310-X					0.310	7.87	0.229	5.82	0.127	3.23				3.5	0.61
C0057-008-0380-X			0.008	0.20	0.380	9.65	0.280	7.12	0.150	3.81	0.28	1.25		2.8	0.50
C0057-008-0440-X					0.440	11.18	0.323	8.20	0.172	4.37				2.4	0.42
C0057-008-0500-X					0.500	12.70	0.364	9.25	0.195	4.95				2.1	0.36
C0057-008-0560-X					0.560	14.22	0.406	10.31	0.217	5.51				1.8	0.32
C0057-008-0620-X					0.620	15.75	0.450	11.44	0.224	5.69				1.7	0.29
C0088-008-0120-X					0.120	3.05	0.084	2.14	0.043	1.09				5.3	0.92
C0088-008-0190-X					0.190	4.83	0.125	3.18	0.055	1.40				2.9	0.51
C0088-008-0250-X					0.250	6.35	0.163	4.14	0.064	1.63				2.2	0.38
C0088-008-0310-X					0.310	7.87	0.202	5.14	0.073	1.85				1.8	0.31
C0088-008-0380-X			0.008	0.20	0.380	9.65	0.247	6.27	0.084	2.13	0.19	0.85		1.4	0.25
C0088-008-0440-X					0.440	11.18	0.289	7.34	0.092	2.34				1.3	0.22
C0088-008-0500-X					0.500	12.70	0.326	8.28	0.101	2.57				1.1	0.19
C0088-008-0560-X					0.560	14.22	0.354	9.00	0.115	2.92				0.9	0.16
C0088-008-0620-X					0.620	15.75	0.394	10.00	0.119	3.02				0.8	0.15
C0088-010-0120-X					0.120	3.05	0.085	2.16	0.060	1.52				10.3	1.79
C0088-010-0190-X					0.190	4.83	0.127	3.23	0.081	2.06				5.7	0.99
C0088-010-0250-X					0.250	6.35	0.164	4.18	0.098	2.49				4.2	0.73
C0088-010-0310-X					0.310	7.87	0.197	5.02	0.118	3.00				3.2	0.56
C0088-010-0380-X					0.380	9.65	0.250	6.36	0.130	3.30				2.8	0.48
C0088-010-0440-X			0.010	0.25	0.440	11.18	0.287	7.30	0.147	3.73	0.36	1.60		2.3	0.41
C0088-010-0500-X	0.088	2.24			0.500	12.70	0.314	7.98	0.172	4.37				1.9	0.34
C0088-010-0560-X					0.560	14.22	0.356	9.05	0.185	4.70				1.8	0.31
C0088-010-0620-X					0.620	15.75	0.395	10.03	0.201	5.11				1.6	0.28
C0088-010-0690-X					0.690	17.53	0.438	11.14	0.213	5.41				1.4	0.25
C0088-010-0750-X					0.750	19.05	0.483	12.26	0.228	5.79				1.3	0.23
C0088-012-0120-X					0.120	3.05	0.090	2.30	0.075	1.91				20.5	3.59
C0088-012-0190-X					0.190	4.83	0.140	3.55	0.100	2.54				12.1	2.12
C0088-012-0250-X					0.250	6.35	0.181	4.59	0.123	3.12				8.8	1.53
C0088-012-0310-X					0.310	7.87	0.219	5.56	0.148	3.76				6.7	1.17
C0088-012-0380-X					0.380	9.65	0.268	6.80	0.172	4.37				5.4	0.95
C0088-012-0440-X			0.012	0.30	0.440	11.18	0.312	7.93	0.191	4.85	0.61	2.71		4.8	0.83
C0088-012-0500-X					0.500	12.70	0.351	8.92	0.215	5.46				4.1	0.71
C0088-012-0560-X					0.560	14.22	0.394	10.02	0.235	5.97				3.7	0.64
C0088-012-0620-X					0.620	15.75	0.428	10.88	0.265	6.73				3.2	0.56
C0088-012-0690-X					0.690	17.53	0.482	12.24	0.266	6.76				2.9	0.51
C0088-012-0750-X					0.750	19.05	0.522	13.27	0.293	7.44				2.7	0.47
C0120-010-0250-X					0.250	6.35	0.150	3.82	0.064	1.63				2.7	0.47
C0120-010-0310-X					0.310	7.87	0.182	4.63	0.073	1.85				2.1	0.36
C0120-010-0380-X					0.380	9.65	0.221	5.60	0.083	2.11				1.7	0.29
C0120-010-0440-X					0.440	11.18	0.252	6.41	0.092	2.34				1.4	0.25
C0120-010-0500-X					0.500	12.70	0.287	7.30	0.101	2.57				1.3	0.22
C0120-010-0560-X					0.560	14.22	0.332	8.44	0.109	2.77				1.2	0.20
C0120-010-0620-X					0.620	15.75	0.354	9.00	0.118	3.00				1.0	0.18
C0120-010-0690-X	0.120	3.05	0.010	0.25	0.690	17.53	0.400	10.16	0.129	3.28	0.27	1.20		0.9	0.16
C0120-010-0750-X					0.750	19.05	0.431	10.95	0.137	3.48				0.8	0.15
C0120-010-0810-X					0.810	20.57	0.456	11.58	0.146	3.71				0.8	0.13
C0120-010-0880-X					0.880	22.35	0.526	13.35	0.156	3.96				0.8	0.13
C0120-010-0940-X					0.940	23.88	0.541	13.75	0.165	4.19				0.7	0.12
C0120-010-1000-X					1.000	25.40	0.545	13.83	0.174	4.42				0.6	0.10
C0120-010-1120-X					1.120	28.45	0.665	16.88	0.192	4.88				0.6	0.10
C0120-010-1250-X					1.250	31.75	0.719	18.25	0.211	5.36				0.5	0.09



TO ORDER: WWW.ASRAYMOND.COM OR SEE PHONE & FAX NUMBERS ON BACK COVER

SPEC

316 STAINLESS STEEL

Catalog Number	Outside Diameter (OD)		Wire Diameter (d)		Free Length (L) Approx.		Load Length (L1)		Solid Height (Sh) Approx.		Load (P) at L1		Spring Rate (R)	
	in	mm	in	mm	in	mm	in	mm	in	mm	lb	N	lb/in	N/mm
C0120-010-1500-X			0.010	0.25	1.500	38.10	0.862	21.90	0.248	6.30	0.27	1.20	0.4	0.07
C0120-012-0250-X					0.250	6.35	0.163	4.15	0.081	2.06			5.3	0.92
C0120-012-0310-X					0.310	7.87	0.201	5.10	0.093	2.36			4.2	0.73
C0120-012-0380-X					0.380	9.65	0.243	6.18	0.107	2.72			3.3	0.58
C0120-012-0440-X					0.440	11.18	0.279	7.10	0.119	3.02			2.8	0.50
C0120-012-0500-X					0.500	12.70	0.318	8.08	0.131	3.33			2.5	0.44
C0120-012-0560-X					0.560	14.22	0.350	8.89	0.143	3.63			2.2	0.38
C0120-012-0620-X					0.620	15.75	0.392	9.97	0.155	3.94			2.0	0.35
C0120-012-0690-X					0.690	17.53	0.430	10.92	0.169	4.29			1.8	0.31
C0120-012-0750-X			0.012	0.30	0.750	19.05	0.477	12.11	0.181	4.60	0.45	2.00	1.7	0.29
C0120-012-0810-X					0.810	20.57	0.507	12.87	0.193	4.90			1.5	0.26
C0120-012-0880-X					0.880	22.35	0.559	14.19	0.207	5.26			1.4	0.25
C0120-012-0940-X					0.940	23.88	0.576	14.63	0.219	5.56			1.3	0.22
C0120-012-1000-X					1.000	25.40	0.636	16.15	0.231	5.87			1.3	0.22
C0120-012-1120-X					1.120	28.45	0.700	17.78	0.255	6.48			1.1	0.19
C0120-012-1250-X					1.250	31.75	0.795	20.19	0.281	7.14			1.0	0.18
C0120-012-1500-X					1.500	38.10	0.954	24.23	0.331	8.41			0.8	0.15
C0120-014-0250-X					0.250	6.35	0.172	4.37	0.101	2.57			9.2	1.60
C0120-014-0310-X					0.310	7.87	0.210	5.34	0.117	2.97			7.2	1.25
C0120-014-0380-X					0.380	9.65	0.256	6.49	0.136	3.45			5.8	1.01
C0120-014-0440-X					0.440	11.18	0.294	7.48	0.152	3.86			4.9	0.86
C0120-014-0500-X					0.500	12.70	0.335	8.50	0.168	4.27			4.3	0.76
C0120-014-0560-X					0.560	14.22	0.373	9.48	0.184	4.67			3.8	0.67
C0120-014-0620-X					0.620	15.75	0.411	10.43	0.200	5.08			3.4	0.60
C0120-014-0690-X					0.690	17.53	0.458	11.63	0.219	5.56			3.1	0.54
C0120-014-0750-X			0.014	0.36	0.750	19.05	0.497	12.63	0.235	5.97	0.72	3.20	2.8	0.50
C0120-014-0810-X					0.810	20.57	0.533	13.54	0.251	6.38			2.6	0.45
C0120-014-0880-X					0.880	22.35	0.584	14.83	0.269	6.83			2.4	0.42
C0120-014-0940-X					0.940	23.88	0.622	15.80	0.285	7.24			2.3	0.39
C0120-014-1000-X					1.000	25.40	0.656	16.67	0.301	7.65			2.1	0.36
C0120-014-1120-X					1.120	28.45	0.730	18.53	0.333	8.46			1.8	0.32
C0120-014-1250-X					1.250	31.75	0.821	20.84	0.368	9.35			1.7	0.29
C0120-014-1500-X					1.500	38.10	0.995	25.27	0.434	11.02			1.4	0.25
C0120-016-0190-X					0.190	4.83	0.141	3.59	0.101	2.57			21.3	3.73
C0120-016-0250-X					0.250	6.35	0.179	4.55	0.119	3.02			14.6	2.55
C0120-016-0310-X					0.310	7.87	0.221	5.62	0.139	3.53			11.7	2.04
C0120-016-0380-X	0.120	3.05			0.380	9.65	0.270	6.86	0.163	4.14			9.4	1.65
C0120-016-0440-X					0.440	11.18	0.309	7.85	0.187	4.75			7.9	1.39
C0120-016-0500-X					0.500	12.70	0.350	8.90	0.208	5.28			6.9	1.21
C0120-016-0560-X					0.560	14.22	0.390	9.90	0.231	5.87			6.1	1.06
C0120-016-0620-X			0.016	0.41	0.620	15.75	0.432	10.97	0.251	6.38	1.04	4.63	5.5	0.96
C0120-016-0690-X					0.690	17.53	0.476	12.08	0.281	7.14			4.8	0.85
C0120-016-0750-X					0.750	19.05	0.516	13.10	0.303	7.70			4.4	0.77
C0120-016-1000-X					1.000	25.40	0.697	17.70	0.378	9.60			3.4	0.60
C0120-016-1120-X					1.120	28.45	0.775	19.68	0.419	10.64			3.0	0.53
C0120-016-1250-X					1.250	31.75	0.862	21.89	0.463	11.76			2.7	0.47
C0120-016-1500-X					1.500	38.10	1.056	26.83	0.544	13.82			2.3	0.41
C0120-018-0190-X					0.190	4.83	0.148	3.75	0.117	2.97			34.4	6.02
C0120-018-0250-X					0.250	6.35	0.188	4.77	0.139	3.53			23.5	4.11
C0120-018-0310-X					0.310	7.87	0.230	5.84	0.166	4.22			18.2	3.19
C0120-018-0380-X					0.380	9.65	0.282	7.17	0.194	4.93			14.9	2.61
C0120-018-0440-X					0.440	11.18	0.325	8.25	0.220	5.59			12.7	2.22
C0120-018-0500-X					0.500	12.70	0.366	9.31	0.248	6.30			10.9	1.91
C0120-018-0560-X					0.560	14.22	0.407	10.33	0.279	7.09			9.5	1.66
C0120-018-0620-X			0.018	0.46	0.620	15.75	0.455	11.56	0.297	7.54	1.46	6.49	8.8	1.55
C0120-018-0690-X					0.690	17.53	0.502	12.75	0.332	8.43			7.8	1.36
C0120-018-0750-X					0.750	19.05	0.544	13.82	0.359	9.12			7.1	1.24
C0120-018-1000-X					1.000	25.40	0.727	18.46	0.455	11.56			5.3	0.93
C0120-018-1120-X					1.120	28.45	0.813	20.65	0.505	12.83			4.8	0.83
C0120-018-1250-X					1.250	31.75	0.907	23.04	0.559	14.20			4.3	0.74
C0120-018-1500-X					1.500	38.10	1.083	27.52	0.663	16.84			3.5	0.61
C0120-020-0250-X					0.250	6.35	0.197	5.01	0.163	4.14			37.3	6.54
C0120-020-0310-X					0.310	7.87	0.242	6.14	0.192	4.88			29.0	5.08
C0120-020-0380-X					0.380	9.65	0.294	7.48	0.226	5.74			23.1	4.04
C0120-020-0440-X					0.440	11.18	0.339	8.61	0.256	6.50			19.6	3.43
C0120-020-0500-X					0.500	12.70	0.384	9.75	0.285	7.24			17.0	2.98
C0120-020-0560-X					0.560	14.22	0.429	10.90	0.314	7.98			15.1	2.64
C0120-020-0620-X			0.020	0.51	0.620	15.75	0.474	12.03	0.344	8.74	1.97	8.76	13.5	2.36
C0120-020-0690-X					0.690	17.53	0.527	13.37	0.378	9.60			12.1	2.12
C0120-020-0750-X					0.750	19.05	0.570	14.49	0.407	10.34			11.0	1.93
C0120-020-0810-X					0.810	20.57	0.616	15.64	0.437	11.10			10.2	1.78
C0120-020-0880-X					0.880	22.35	0.668	16.98	0.471	11.96			9.3	1.63
C0120-020-0940-X					0.940	23.88	0.712	18.09	0.500	12.70			8.7	1.52

COMPRESSION SPRINGS
316 STAINLESS STEEL

316 STAINLESS STEEL

Catalog Number	Outside Diameter (OD)		Wire Diameter (d)		Free Length (L) Approx.		Load Length (L1)		Solid Height (Sh) Approx.		Load (P) at L1		Spring Rate (R)	
	in	mm	in	mm	in	mm	in	mm	in	mm	lb	N	lb/in	N/mm
C0120-020-1000-X					1.000	25.40	0.758	19.26	0.530	13.46				
C0120-020-1120-X			0.020	0.51	1.120	28.45	0.848	21.53	0.588	14.94	1.97	8.76	8.2	1.43
C0120-020-1250-X					1.250	31.75	0.946	24.03	0.652	16.56			7.3	1.27
C0120-020-1500-X					1.500	38.10	1.130	28.69	0.774	19.66			6.5	1.14
C0120-022-0250-X					0.250	6.35	0.206	5.23	0.171	4.34			5.3	0.93
C0120-022-0310-X					0.310	7.87	0.252	6.39	0.209	5.31			58.8	10.30
C0120-022-0380-X					0.380	9.65	0.305	7.75	0.252	6.40			44.4	7.78
C0120-022-0440-X					0.440	11.18	0.354	9.00	0.280	7.11			34.6	6.05
C0120-022-0500-X					0.500	12.70	0.400	10.16	0.319	8.10			30.3	5.31
C0120-022-0560-X					0.560	14.22	0.450	11.42	0.346	8.79			25.9	4.54
C0120-022-0620-X					0.620	15.75	0.495	12.57	0.384	9.75			23.5	4.11
C0120-022-0690-X			0.022	0.56	0.690	17.53	0.543	13.80	0.442	11.23	2.59	11.52	20.7	3.63
C0120-022-0750-X					0.750	19.05	0.596	15.13	0.461	11.71			17.7	3.09
C0120-022-0810-X					0.810	20.57	0.643	16.34	0.494	12.55			16.8	2.95
C0120-022-0880-X					0.880	22.35	0.696	17.69	0.529	13.44			15.6	2.73
C0120-022-0940-X					0.940	23.88	0.742	18.84	0.566	14.38			13.1	2.29
C0120-022-1000-X					1.000	25.40	0.788	20.02	0.600	15.24			12.3	2.15
C0120-022-1120-X					1.120	28.45	0.893	22.68	0.667	16.94			12.3	2.15
C0120-022-1250-X	0.120	3.05			1.250	31.75	0.984	24.99	0.739	18.77			11.4	2.00
C0120-022-1500-X					1.500	38.10	1.179	29.95	0.879	22.33			9.8	1.71
C0120-024-0310-X					0.310	7.87	0.262	6.64	0.229	5.82			8.1	1.41
C0120-024-0380-X					0.380	9.65	0.319	8.09	0.271	6.88			68.6	12.01
C0120-024-0440-X					0.440	11.18	0.368	9.34	0.307	7.80			54.1	9.47
C0120-024-0500-X					0.500	12.70	0.416	10.58	0.343	8.71			45.8	8.02
C0120-024-0560-X					0.560	14.22	0.465	11.82	0.379	9.63			39.7	6.96
C0120-024-0620-X					0.620	15.75	0.514	13.06	0.415	10.54			35.1	6.14
C0120-024-0690-X					0.690	17.53	0.571	14.51	0.457	11.61			31.4	5.50
C0120-024-0750-X			0.024	0.61	0.750	19.05	0.620	15.75	0.493	12.52	3.32	14.77	28.0	4.90
C0120-024-0810-X					0.810	20.57	0.669	17.00	0.529	13.44			25.6	4.48
C0120-024-0880-X					0.880	22.35	0.726	18.45	0.571	14.50			23.6	4.13
C0120-024-0940-X					0.940	23.88	0.775	19.69	0.607	15.42			21.6	3.78
C0120-024-1000-X					1.000	25.40	0.824	20.92	0.643	16.33			20.2	3.53
C0120-024-1120-X					1.120	28.45	0.922	23.41	0.715	18.16			18.8	3.30
C0120-024-1250-X					1.250	31.75	1.027	26.10	0.793	20.14			16.7	2.93
C0120-024-1500-X					1.500	38.10	1.233	31.31	0.943	23.95			14.9	2.61
C0148-021-0250-X					0.250	6.35	0.187	4.74	0.143	3.63			12.4	2.17
C0148-021-0310-X					0.310	7.87	0.228	5.80	0.166	4.22			29.7	5.21
C0148-021-0380-X					0.380	9.65	0.277	7.04	0.193	4.90			23.1	4.04
C0148-021-0440-X					0.440	11.18	0.319	8.10	0.217	5.51			18.3	3.21
C0148-021-0500-X					0.500	12.70	0.360	9.15	0.240	6.10			15.6	2.73
C0148-021-0560-X					0.560	14.22	0.402	10.20	0.263	6.68			13.5	2.36
C0148-021-0620-X					0.620	15.75	0.443	11.25	0.286	7.26			11.9	2.09
C0148-021-0690-X			0.021	0.53	0.690	17.53	0.493	12.52	0.313	7.95	1.89	8.41	10.7	1.87
C0148-021-0750-X					0.750	19.05	0.534	13.57	0.336	8.53			9.6	1.68
C0148-021-0810-X					0.810	20.57	0.576	14.64	0.359	9.12			8.8	1.53
C0148-021-0880-X					0.880	22.35	0.626	15.89	0.386	9.80			8.1	1.41
C0148-021-0940-X					0.940	23.88	0.667	16.94	0.410	10.41			7.4	1.30
C0148-021-1000-X					1.000	25.40	0.710	18.02	0.433	11.00			6.9	1.21
C0148-021-1250-X					1.250	31.75	0.879	22.32	0.529	13.44			6.5	1.14
C0148-021-1500-X					1.500	38.10	1.056	26.82	0.626	15.90			5.1	0.89
C0148-023-0250-X	0.148	3.76			0.250	6.35	0.193	4.91	0.160	4.06			4.3	0.74
C0148-023-0310-X					0.310	7.87	0.236	6.01	0.187	4.75			43.3	7.59
C0148-023-0380-X					0.380	9.65	0.287	7.29	0.218	5.54			33.4	5.85
C0148-023-0440-X					0.440	11.18	0.330	8.39	0.245	6.22			26.4	4.62
C0148-023-0500-X					0.500	12.70	0.373	9.49	0.272	6.91			22.4	3.92
C0148-023-0560-X					0.560	14.22	0.417	10.59	0.299	7.59			19.4	3.40
C0148-023-0620-X					0.620	15.75	0.461	11.70	0.326	8.28			17.2	3.01
C0148-023-0690-X			0.023	0.58	0.690	17.53	0.511	12.99	0.357	9.07	2.46	10.94	15.4	2.70
C0148-023-0750-X					0.750	19.05	0.555	14.09	0.384	9.75			13.7	2.41
C0148-023-0810-X					0.810	20.57	0.598	15.19	0.410	10.41			12.6	2.20
C0148-023-0880-X					0.880	22.35	0.648	16.46	0.442	11.23			11.6	2.03
C0148-023-0940-X					0.940	23.88	0.692	17.58	0.469	11.91			10.6	1.85
C0148-023-1000-X					1.000	25.40	0.734	18.65	0.495	12.57			9.9	1.74
C0148-023-1250-X					1.250	31.75	0.915	23.24	0.607	15.42			9.3	1.62
C0148-023-1500-X					1.500	38.10	1.096	27.84	0.719	18.26			7.3	1.28
C0180-012-0250-X					0.250	6.35	0.147	3.74	0.057	1.45			6.1	1.06
C0180-012-0310-X					0.310	7.87	0.182	4.63	0.062	1.57			3.0	0.53
C0180-012-0380-X					0.380	9.65	0.219	5.56	0.069	1.75			2.4	0.42
C0180-012-0440-X					0.440	11.18	0.255	6.47	0.074	1.88			1.9	0.34
C0180-012-0500-X	0.180	4.57	0.012	0.30	0.500	12.70	0.282	7.17	0.080	2.03	0.31	1.38	1.7	0.29
C0180-012-0560-X					0.560	14.22	0.313	7.95	0.085	2.16			1.4	0.25
C0180-012-0620-X					0.620	15.75	0.355	9.03	0.091	2.31			1.3	0.22
C0180-012-0690-X					0.690	17.53	0.381	9.69	0.097	2.46			1.2	0.20
C0180-012-0750-X					0.750	19.05	0.413	10.50	0.103	2.62			1.0	0.18



TO ORDER: WWW.ASRAYMOND.COM OR SEE PHONE & FAX NUMBERS ON BACK COVER

SPEC



316 STAINLESS STEEL

Catalog Number	Outside Diameter (OD)		Wire Diameter (d)		Free Length (L) Approx.		Load Length (L1)		Solid Height (Sh) Approx.		Load (P) at L1		Spring Rate (R)	
	in	mm	in	mm	in	mm	in	mm	in	mm	lb	N	lb/in	N/mm
C0180-012-0810-X					0.810	20.57	0.440	11.17	0.109	2.77			0.8	0.15
C0180-012-0880-X					0.880	22.35	0.510	12.95	0.115	2.92			0.8	0.15
C0180-012-0940-X					0.940	23.88	0.529	13.42	0.121	3.07			0.8	0.13
C0180-012-1000-X			0.012	.030	1.000	25.40	0.537	13.64	0.126	3.20	0.31	1.38	0.7	0.12
C0180-012-1250-X					1.250	31.75	0.721	18.31	0.149	3.78			0.6	0.10
C0180-012-1500-X					1.500	38.10	0.883	22.42	0.172	4.37			0.5	0.09
C0180-014-0250-X					0.250	6.35	0.156	3.95	0.069	1.75			5.2	0.90
C0180-014-0310-X					0.310	7.87	0.191	4.84	0.076	1.93			4.1	0.71
C0180-014-0380-X					0.380	9.65	0.230	5.84	0.085	2.16			3.3	0.57
C0180-014-0440-X					0.440	11.18	0.268	6.81	0.092	2.34			2.8	0.50
C0180-014-0500-X					0.500	12.70	0.298	7.58	0.100	2.54			2.4	0.42
C0180-014-0560-X					0.560	14.22	0.335	8.51	0.107	2.72			2.2	0.38
C0180-014-0620-X					0.620	15.75	0.366	9.29	0.114	2.90			1.9	0.34
C0180-014-0690-X			0.014	0.36	0.690	17.53	0.411	10.45	0.123	3.12	0.49	2.20	1.8	0.31
C0180-014-0750-X					0.750	19.05	0.442	11.23	0.130	3.30			1.6	0.28
C0180-014-0880-X					0.880	22.35	0.514	13.07	0.146	3.71			1.3	0.23
C0180-014-1000-X					1.000	25.40	0.582	14.79	0.161	4.09			1.2	0.20
C0180-014-1250-X					1.250	31.75	0.718	18.24	0.191	4.85			0.9	0.16
C0180-014-1380-X					1.380	35.05	0.795	20.20	0.207	5.26			0.8	0.15
C0180-014-1500-X					1.500	38.10	0.850	21.59	0.222	5.64			0.8	0.13
C0180-016-0250-X					0.250	6.35	0.154	3.92	0.080	2.03			7.4	1.30
C0180-016-0310-X					0.310	7.87	0.197	5.00	0.087	2.21			6.3	1.09
C0180-016-0380-X					0.380	9.65	0.236	5.99	0.100	2.54			4.9	0.86
C0180-016-0440-X					0.440	11.18	0.267	6.77	0.112	2.84			4.1	0.71
C0180-016-0500-X					0.500	12.70	0.298	7.56	0.124	3.15			3.5	0.61
C0180-016-0560-X					0.560	14.22	0.330	8.39	0.136	3.45			3.1	0.54
C0180-016-0620-X					0.620	15.75	0.370	9.40	0.144	3.66			2.8	0.50
C0180-016-0690-X			0.016	0.41	0.690	17.53	0.416	10.56	0.155	3.94	0.71	3.16	2.6	0.45
C0180-016-0750-X					0.750	19.05	0.446	11.34	0.167	4.24			2.3	0.41
C0180-016-0880-X					0.880	22.35	0.540	13.72	0.185	4.70			2.1	0.36
C0180-016-1000-X					1.000	25.40	0.614	15.59	0.204	5.18			1.8	0.32
C0180-016-1250-X					1.250	31.75	0.750	19.05	0.245	6.22			1.4	0.25
C0180-016-1380-X					1.380	35.05	0.849	21.56	0.266	6.76			1.3	0.23
C0180-016-1500-X					1.500	38.10	0.893	22.68	0.285	7.24			1.2	0.20
C0180-016-1750-X					1.750	44.45	1.042	26.46	0.326	8.28			1.0	0.18
C0180-018-0250-X					0.250	6.35	0.161	4.09	0.094	2.39			11.3	1.97
C0180-018-0310-X	0.180	4.57			0.310	7.87	0.204	5.19	0.103	2.62			9.5	1.66
C0180-018-0380-X					0.380	9.65	0.251	6.37	0.116	2.95			7.8	1.36
C0180-018-0440-X					0.440	11.18	0.286	7.26	0.130	3.30			6.5	1.14
C0180-018-0500-X					0.500	12.70	0.320	8.14	0.144	3.66			5.6	0.98
C0180-018-0560-X					0.560	14.22	0.349	8.86	0.162	4.11			4.8	0.83
C0180-018-0620-X					0.620	15.75	0.384	9.76	0.175	4.45			4.3	0.74
C0180-018-0690-X			0.018	0.46	0.690	17.53	0.428	10.88	0.189	4.80	1.00	4.45	3.8	0.67
C0180-018-0750-X					0.750	19.05	0.457	11.60	0.207	5.26			3.4	0.60
C0180-018-0880-X					0.880	22.35	0.555	14.09	0.227	5.77			3.1	0.54
C0180-018-1000-X					1.000	25.40	0.624	15.85	0.252	6.40			2.7	0.47
C0180-018-1250-X					1.250	31.75	0.787	20.00	0.303	7.70			2.2	0.38
C0180-018-1380-X					1.380	35.05	0.857	21.77	0.330	8.38			1.9	0.34
C0180-018-1500-X					1.500	38.10	0.927	23.55	0.355	9.02			1.8	0.31
C0180-018-1750-X					1.750	44.45	1.082	27.47	0.406	10.31			1.5	0.26
C0180-020-0250-X					0.250	6.35	0.173	4.39	0.113	2.87			17.7	3.09
C0180-020-0310-X					0.310	7.87	0.211	5.35	0.128	3.25			13.7	2.41
C0180-020-0380-X					0.380	9.65	0.255	6.47	0.146	3.71			10.9	1.91
C0180-020-0440-X					0.440	11.18	0.292	7.42	0.161	4.09			9.3	1.62
C0180-020-0500-X					0.500	12.70	0.331	8.41	0.176	4.47			8.1	1.41
C0180-020-0560-X					0.560	14.22	0.369	9.38	0.191	4.85			7.2	1.25
C0180-020-0620-X					0.620	15.75	0.407	10.34	0.207	5.26			6.4	1.12
C0180-020-0690-X			0.020	0.51	0.690	17.53	0.449	11.40	0.224	5.69	1.37	6.09	5.7	0.99
C0180-020-0750-X					0.750	19.05	0.490	12.44	0.239	6.07			5.3	0.92
C0180-020-0880-X					0.880	22.35	0.571	14.49	0.272	6.91			4.4	0.77
C0180-020-1000-X					1.000	25.40	0.643	16.34	0.302	7.67			3.8	0.67
C0180-020-1250-X					1.250	31.75	0.807	20.49	0.366	9.30			3.1	0.54
C0180-020-1380-X					1.380	35.05	0.883	22.43	0.398	10.11			2.8	0.48
C0180-020-1500-X					1.500	38.10	0.953	24.21	0.429	10.90			2.5	0.44
C0180-020-1750-X					1.750	44.45	1.119	28.43	0.492	12.50			2.2	0.38
C0180-022-0250-X					0.250	6.35	0.177	4.49	0.121	3.07			24.7	4.32
C0180-022-0310-X					0.310	7.87	0.219	5.55	0.137	3.48			19.7	3.46
C0180-022-0380-X					0.380	9.65	0.270	6.87	0.154	3.91			16.5	2.89
C0180-022-0440-X					0.440	11.18	0.312	7.92	0.170	4.32			14.1	2.47
C0180-022-0500-X			0.022	0.56	0.500	12.70	0.347	8.82	0.192	4.88	1.81	8.05	11.8	2.07
C0180-022-0560-X					0.560	14.22	0.378	9.60	0.219	5.56			9.9	1.74
C0180-022-0620-X					0.620	15.75	0.413	10.50	0.241	6.12			8.8	1.53
C0180-022-0690-X					0.690	17.53	0.464	11.79	0.259	6.58			8.0	1.40



316 STAINLESS STEEL

Catalog Number	Outside Diameter (OD)		Wire Diameter (d)		Free Length (L) Approx.		Load Length (L1)		Solid Height (Sh) Approx.		Load (P) at L1		Spring Rate (R)	
	in	mm	in	mm	in	mm	in	mm	in	mm	lb	N	lb/in	N/mm
C0180-022-0750-X					0.750	19.05	0.501	12.72	0.280	7.11			7.3	1.27
C0180-022-0810-X					0.810	20.57	0.528	13.42	0.309	7.85			6.4	1.12
C0180-022-0940-X					0.940	23.88	0.626	15.89	0.337	8.56			5.8	1.01
C0180-022-1000-X			0.022	0.56	1.000	25.40	0.666	16.93	0.355	9.02	1.81	8.05	5.4	0.95
C0180-022-1120-X					1.120	28.45	0.746	18.95	0.391	9.93			4.8	0.85
C0180-022-1250-X					1.250	31.75	0.833	21.16	0.430	10.92			4.3	0.76
C0180-022-1500-X					1.500	38.10	0.996	25.29	0.506	12.85			3.6	0.63
C0180-022-1750-X					1.750	44.45	1.179	29.96	0.550	13.97			3.2	0.56
C0180-024-0250-X					0.250	6.35	0.184	4.67	0.143	3.63			35.2	6.17
C0180-024-0310-X					0.310	7.87	0.224	5.70	0.164	4.17			27.2	4.76
C0180-024-0380-X					0.380	9.65	0.271	6.89	0.189	4.80			21.4	3.75
C0180-024-0440-X					0.440	11.18	0.312	7.92	0.210	5.33			18.2	3.18
C0180-024-0500-X					0.500	12.70	0.352	8.94	0.232	5.89			15.7	2.76
C0180-024-0560-X					0.560	14.22	0.393	9.97	0.253	6.43			13.9	2.44
C0180-024-0620-X					0.620	15.75	0.432	10.98	0.274	6.96			12.4	2.17
C0180-024-0750-X			0.024	0.61	0.750	19.05	0.521	13.23	0.320	8.13	2.33	10.36	10.2	1.78
C0180-024-0880-X					0.880	22.35	0.609	15.46	0.366	9.30			8.6	1.50
C0180-024-1000-X					1.000	25.40	0.689	17.51	0.408	10.36			7.5	1.31
C0180-024-1120-X					1.120	28.45	0.771	19.57	0.450	11.43			6.7	1.17
C0180-024-1250-X					1.250	31.75	0.856	21.75	0.496	12.60			5.9	1.03
C0180-024-1500-X					1.500	38.10	1.026	26.06	0.585	14.86			4.9	0.86
C0180-024-1750-X					1.750	44.45	1.191	30.25	0.673	17.09			4.2	0.73
C0180-024-2000-X					2.000	50.80	1.365	34.66	0.761	19.33			3.7	0.64
C0180-026-0250-X					0.250	6.35	0.189	4.80	0.149	3.78			48.2	8.43
C0180-026-0310-X					0.310	7.87	0.235	5.97	0.168	4.27			39.2	6.86
C0180-026-0380-X					0.380	9.65	0.286	7.26	0.195	4.95			31.2	5.47
C0180-026-0440-X					0.440	11.18	0.327	8.30	0.221	5.61			26.0	4.55
C0180-026-0500-X					0.500	12.70	0.368	9.36	0.247	6.27			22.3	3.91
C0180-026-0560-X					0.560	14.22	0.410	10.41	0.272	6.91			19.6	3.43
C0180-026-0620-X					0.620	15.75	0.451	11.46	0.298	7.57			17.4	3.05
C0180-026-0690-X					0.690	17.53	0.502	12.76	0.324	8.23			15.7	2.74
C0180-026-0750-X			0.026	0.66	0.750	19.05	0.542	13.78	0.352	8.94	2.94	13.08	14.2	2.48
C0180-026-0810-X					0.810	20.57	0.584	14.83	0.377	9.58			13.0	2.27
C0180-026-0880-X					0.880	22.35	0.635	16.13	0.403	10.24			12.0	2.10
C0180-026-1000-X					1.000	25.40	0.711	18.05	0.461	11.71			10.2	1.78
C0180-026-1120-X					1.120	28.45	0.793	20.15	0.509	12.93			9.0	1.58
C0180-026-1250-X	0.180	4.57			1.250	31.75	0.886	22.51	0.562	14.27			8.1	1.41
C0180-026-1500-X					1.500	38.10	1.059	26.90	0.663	16.84			6.7	1.17
C0180-026-1750-X					1.750	44.45	1.231	31.27	0.764	19.41			5.7	0.99
C0180-026-2000-X					2.000	50.80	1.402	35.61	0.865	21.97			4.9	0.86
C0180-029-0250-X					0.250	6.35	0.198	5.03	0.172	4.37			77.6	13.58
C0180-029-0310-X					0.310	7.87	0.242	6.14	0.208	5.28			59.1	10.36
C0180-029-0380-X					0.380	9.65	0.293	7.44	0.241	6.12			46.2	8.10
C0180-029-0440-X					0.440	11.18	0.337	8.55	0.270	6.86			39.0	6.83
C0180-029-0500-X					0.500	12.70	0.381	9.67	0.299	7.59			33.7	5.91
C0180-029-0560-X					0.560	14.22	0.424	10.77	0.327	8.31			29.7	5.19
C0180-029-0620-X					0.620	15.75	0.468	11.88	0.356	9.04			26.5	4.64
C0180-029-0690-X					0.690	17.53	0.519	13.18	0.390	9.91			23.6	4.13
C0180-029-0750-X					0.750	19.05	0.562	14.29	0.418	10.62			21.5	3.76
C0180-029-0810-X			0.029	0.74	0.810	20.57	0.607	15.41	0.447	11.35	4.03	17.93	19.8	3.47
C0180-029-0880-X					0.880	22.35	0.658	16.71	0.481	12.22			18.2	3.18
C0180-029-0940-X					0.940	23.88	0.702	17.82	0.509	12.93			16.9	2.96
C0180-029-1000-X					1.000	25.40	0.745	18.93	0.538	13.67			15.8	2.77
C0180-029-1120-X					1.120	28.45	0.832	21.13	0.596	15.14			14.0	2.45
C0180-029-1250-X					1.250	31.75	0.927	23.56	0.658	16.71			12.5	2.19
C0180-029-1380-X					1.380	35.05	1.022	25.95	0.720	18.29			11.3	1.97
C0180-029-1500-X					1.500	38.10	1.110	28.19	0.778	19.76			10.3	1.81
C0180-029-1750-X					1.750	44.45	1.294	32.86	0.897	22.78			8.8	1.55
C0180-029-2000-X					2.000	50.80	1.474	37.44	1.017	25.83			7.7	1.34
C0180-032-0310-X					0.310	7.87	0.258	6.55	0.206	5.23			102.2	17.90
C0180-032-0380-X					0.380	9.65	0.314	7.97	0.240	6.10			80.8	14.15
C0180-032-0440-X					0.440	11.18	0.357	9.07	0.280	7.11			64.6	11.31
C0180-032-0500-X					0.500	12.70	0.401	10.19	0.319	8.10			54.1	9.47
C0180-032-0560-X					0.560	14.22	0.451	11.46	0.343	8.71			49.1	8.59
C0180-032-0620-X					0.620	15.75	0.495	12.57	0.382	9.70			42.7	7.48
C0180-032-0690-X			0.032	0.81	0.690	17.53	0.555	14.09	0.406	10.31	5.35	23.80	39.6	6.93
C0180-032-0750-X					0.750	19.05	0.595	15.10	0.456	11.58			34.4	6.02
C0180-032-0810-X					0.810	20.57	0.638	16.20	0.496	12.60			31.1	5.44
C0180-032-0880-X					0.880	22.35	0.688	17.49	0.543	13.79			27.9	4.89
C0180-032-0940-X					0.940	23.88	0.735	18.67	0.576	14.63			26.1	4.57
C0180-032-1000-X					1.000	25.40	0.782	19.86	0.608	15.44			24.5	4.29
C0180-032-1120-X					1.120	28.45	0.869	22.08	0.677	17.20			21.3	3.73
C0180-032-1250-X					1.250	31.75	0.969	24.60	0.748	19.00			19.0	3.33



TO ORDER: WWW.ASRAYMOND.COM OR SEE PHONE & FAX NUMBERS ON BACK COVER

SPEC



316 STAINLESS STEEL

Catalog Number	Outside Diameter (OD)		Wire Diameter (d)		Free Length (L) Approx.		Load Length (L1)		Solid Height (Sh) Approx.		Load (P) at L1		Spring Rate (R)	
	in	mm	in	mm	in	mm	in	mm	in	mm	lb	N	lb/in	N/mm
C0180-032-1380-X					1.380	35.05	1.068	27.14	0.819	20.80				
C0180-032-1500-X			0.032	0.81	1.500	38.10	1.159	29.43	0.885	22.48	5.35	23.80	17.2	3.01
C0180-032-1750-X					1.750	44.45	1.351	34.33	1.023	25.98			13.4	2.35
C0180-032-2000-X					2.000	50.80	1.542	39.16	1.160	29.46			11.7	2.04
C0180-035-0380-X					0.380	9.65	0.320	8.12	0.286	7.26			114.1	19.98
C0180-035-0440-X					0.440	11.18	0.368	9.34	0.321	8.15			95.6	16.73
C0180-035-0500-X					0.500	12.70	0.416	10.57	0.356	9.04			82.2	14.40
C0180-035-0560-X					0.560	14.22	0.464	11.80	0.391	9.93			72.1	12.63
C0180-035-0620-X					0.620	15.75	0.513	13.02	0.426	10.82			64.3	11.26
C0180-035-0690-X	0.180	4.57			0.690	17.53	0.569	14.46	0.467	11.86			57.1	9.99
C0180-035-0750-X					0.750	19.05	0.617	15.68	0.502	12.75			52.0	9.10
C0180-035-0810-X			0.035	0.89	0.810	20.57	0.666	16.91	0.537	13.64	6.90	30.69	47.8	8.37
C0180-035-0880-X					0.880	22.35	0.722	18.34	0.578	14.68			43.7	7.64
C0180-035-0940-X					0.940	23.88	0.770	19.57	0.613	15.57			40.7	7.12
C0180-035-1000-X					1.000	25.40	0.819	20.80	0.648	16.46			38.1	6.67
C0180-035-1120-X					1.120	28.45	0.915	23.24	0.718	18.24			33.7	5.89
C0180-035-1250-X					1.250	31.75	1.020	25.91	0.793	20.14			30.0	5.25
C0180-035-1500-X					1.500	38.10	1.221	31.02	0.939	23.85			24.7	4.33
C0180-035-1750-X					1.750	44.45	1.423	36.14	1.085	27.56			21.1	3.69
C0180-035-2000-X					2.000	50.80	1.624	41.24	1.231	31.27			18.3	3.21
C0210-018-0250-X					0.250	6.35	0.156	3.95	0.089	2.26			9.2	1.60
C0210-018-0310-X					0.310	7.87	0.189	4.81	0.099	2.51			7.2	1.25
C0210-018-0380-X					0.380	9.65	0.227	5.77	0.110	2.79			5.7	0.99
C0210-018-0440-X					0.440	11.18	0.261	6.63	0.120	3.05			4.8	0.85
C0210-018-0500-X					0.500	12.70	0.296	7.52	0.130	3.30			4.3	0.74
C0210-018-0560-X					0.560	14.22	0.329	8.36	0.140	3.56			3.8	0.66
C0210-018-0620-X					0.620	15.75	0.360	9.15	0.150	3.81			3.3	0.58
C0210-018-0690-X			0.018	0.46	0.690	17.53	0.401	10.19	0.161	4.09	0.87	3.87	3.0	0.53
C0210-018-0750-X					0.750	19.05	0.435	11.05	0.171	4.34			2.8	0.48
C0210-018-0810-X					0.810	20.57	0.464	11.78	0.181	4.60			2.5	0.44
C0210-018-0880-X					0.880	22.35	0.509	12.93	0.192	4.88			2.3	0.41
C0210-018-1000-X					1.000	25.40	0.567	14.40	0.212	5.38			2.0	0.35
C0210-018-1250-X					1.250	31.75	0.703	17.86	0.253	6.43			1.6	0.28
C0210-018-1500-X					1.500	38.10	0.851	21.60	0.294	7.47			1.3	0.23
C0210-018-1750-X					1.750	44.45	1.008	25.60	0.334	8.48			1.2	0.20
C0210-018-2000-X					2.000	50.80	1.134	28.81	0.375	9.53			1.0	0.18
C0210-022-0250-X					0.250	6.35	0.170	4.33	0.113	2.87			19.7	3.44
C0210-022-0310-X					0.310	7.87	0.207	5.27	0.127	3.23			15.2	2.67
C0210-022-0380-X					0.380	9.65	0.250	6.36	0.143	3.63			12.1	2.12
C0210-022-0440-X					0.440	11.18	0.287	7.30	0.157	3.99			10.3	1.79
C0210-022-0500-X					0.500	12.70	0.325	8.24	0.170	4.32			8.9	1.56
C0210-022-0560-X					0.560	14.22	0.360	9.15	0.184	4.67			7.8	1.37
C0210-022-0620-X					0.620	15.75	0.399	10.14	0.198	5.03			7.1	1.24
C0210-022-0690-X	0.210	5.33	0.022	0.56	0.690	17.53	0.440	11.17	0.214	5.44	1.56	6.94	6.3	1.09
C0210-022-0750-X					0.750	19.05	0.478	12.14	0.228	5.79			5.8	1.01
C0210-022-0810-X					0.810	20.57	0.517	13.12	0.241	6.12			5.3	0.93
C0210-022-0880-X					0.880	22.35	0.556	14.13	0.257	6.53			4.8	0.85
C0210-022-1000-X					1.000	25.40	0.632	16.05	0.285	7.24			4.3	0.74
C0210-022-1250-X					1.250	31.75	0.781	19.83	0.342	8.69			3.3	0.58
C0210-022-1500-X					1.500	38.10	0.931	23.65	0.399	10.13			2.8	0.48
C0210-022-1750-X					1.750	44.45	1.102	28.00	0.456	11.58			2.4	0.42
C0210-022-2000-X					2.000	50.80	1.249	31.72	0.514	13.06			2.1	0.36
C0210-026-0250-X					0.250	6.35	0.180	4.58	0.140	3.56			36.7	6.43
C0210-026-0310-X					0.310	7.87	0.220	5.58	0.159	4.04			28.2	4.95
C0210-026-0380-X					0.380	9.65	0.265	6.73	0.181	4.60			22.2	3.88
C0210-026-0440-X					0.440	11.18	0.304	7.72	0.200	5.08			18.7	3.28
C0210-026-0500-X					0.500	12.70	0.343	8.71	0.219	5.56			16.2	2.84
C0210-026-0560-X					0.560	14.22	0.382	9.70	0.237	6.02			14.3	2.51
C0210-026-0620-X					0.620	15.75	0.421	10.69	0.256	6.50			12.8	2.25
C0210-026-0690-X			0.026	0.66	0.690	17.53	0.466	11.84	0.278	7.06	2.55	11.34	11.4	2.00
C0210-026-0750-X					0.750	19.05	0.505	12.82	0.297	7.54			10.4	1.82
C0210-026-0810-X					0.810	20.57	0.543	13.80	0.316	8.03			9.6	1.68
C0210-026-0880-X					0.880	22.35	0.588	14.94	0.338	8.59			8.8	1.53
C0210-026-1000-X					1.000	25.40	0.667	16.94	0.376	9.55			7.7	1.34
C0210-026-1250-X					1.250	31.75	0.830	21.09	0.454	11.53			6.1	1.06
C0210-026-1500-X					1.500	38.10	0.989	25.12	0.533	13.54			5.0	0.88
C0210-026-1750-X					1.750	44.45	1.149	29.19	0.611	15.52			4.3	0.74
C0210-026-2000-X					2.000	50.80	1.319	33.50	0.689	17.50			3.8	0.66
C0240-016-0250-X					0.250	6.35	0.146	3.71	0.070	1.78			5.2	0.90
C0240-016-0310-X					0.310	7.87	0.176	4.46	0.076	1.93			4.0	0.70
C0240-016-0380-X	0.240	6.10	0.016	0.41	0.380	9.65	0.215	5.45	0.083	2.11	0.54	2.40	3.3	0.57
C0240-016-0440-X					0.440	11.18	0.245	6.21	0.089	2.26			2.8	0.48
C0240-016-0500-X					0.500	12.70	0.278	7.05	0.095	2.41			2.4	0.42



316 STAINLESS STEEL

Catalog Number	Outside Diameter (OD)		Wire Diameter (d)		Free Length (L) Approx.		Load Length (L1)		Solid Height (Sh) Approx.		Load (P) at L1		Spring Rate (R)	
	in	mm	in	mm	in	mm	in	mm	in	mm	lb	N	lb/in	N/mm
C0240-016-0560-X					0.560	14.22	0.302	7.67	0.101	2.57			2.1	0.36
C0240-016-0620-X					0.620	15.75	0.340	8.63	0.107	2.72			1.9	0.34
C0240-016-0690-X					0.690	17.53	0.368	9.34	0.114	2.90			1.7	0.29
C0240-016-0750-X					0.750	19.05	0.411	10.43	0.120	3.05			1.6	0.28
C0240-016-0810-X					0.810	20.57	0.431	10.94	0.126	3.20			1.4	0.25
C0240-016-0880-X			0.016	0.41	0.880	22.35	0.477	12.12	0.133	3.38	0.54	2.40	1.3	0.23
C0240-016-1000-X					1.000	25.40	0.540	13.70	0.145	3.68			1.2	0.20
C0240-016-1250-X					1.250	31.75	0.664	16.86	0.170	4.32			0.9	0.16
C0240-016-1500-X					1.500	38.10	0.784	19.91	0.195	4.95			0.8	0.13
C0240-016-1750-X					1.750	44.45	0.944	23.98	0.220	5.59			0.7	0.12
C0240-016-2000-X					2.000	50.80	1.079	27.41	0.245	6.22			0.6	0.10
C0240-018-0250-X					0.250	6.35	0.154	3.91	0.080	2.03			7.9	1.39
C0240-018-0310-X					0.310	7.87	0.186	4.74	0.088	2.24			6.2	1.08
C0240-018-0380-X					0.380	9.65	0.225	5.72	0.096	2.44			4.9	0.86
C0240-018-0440-X					0.440	11.18	0.257	6.53	0.103	2.62			4.2	0.73
C0240-018-0500-X					0.500	12.70	0.292	7.42	0.111	2.82			3.7	0.64
C0240-018-0560-X					0.560	14.22	0.326	8.27	0.118	3.00			3.3	0.57
C0240-018-0620-X					0.620	15.75	0.359	9.11	0.126	3.20			2.9	0.51
C0240-018-0690-X			0.018	0.46	0.690	17.53	0.395	10.04	0.134	3.40	0.76	3.38	2.6	0.45
C0240-018-0750-X					0.750	19.05	0.424	10.76	0.141	3.58			2.3	0.41
C0240-018-0810-X					0.810	20.57	0.458	11.64	0.149	3.78			2.2	0.38
C0240-018-0880-X					0.880	22.35	0.499	12.68	0.157	3.99			2.0	0.35
C0240-018-1000-X					1.000	25.40	0.565	14.34	0.172	4.37			1.8	0.31
C0240-018-1250-X					1.250	31.75	0.712	18.09	0.203	5.16			1.4	0.25
C0240-018-1500-X					1.500	38.10	0.847	21.51	0.233	5.92			1.2	0.20
C0240-018-1750-X					1.750	44.45	0.988	25.10	0.264	6.71			1.0	0.18
C0240-018-2000-X					2.000	50.80	1.086	27.58	0.294	7.47			0.8	0.15
C0240-020-0250-X					0.250	6.35	0.161	4.10	0.091	2.31			11.8	2.06
C0240-020-0310-X					0.310	7.87	0.196	4.99	0.099	2.51			9.2	1.60
C0240-020-0380-X					0.380	9.65	0.236	6.01	0.110	2.79			7.3	1.27
C0240-020-0440-X					0.440	11.18	0.271	6.89	0.118	3.00			6.2	1.08
C0240-020-0500-X					0.500	12.70	0.305	7.74	0.127	3.23			5.3	0.93
C0240-020-0560-X					0.560	14.22	0.341	8.66	0.136	3.45			4.8	0.83
C0240-020-0620-X					0.620	15.75	0.375	9.53	0.145	3.68			4.3	0.74
C0240-020-0690-X			0.020	0.51	0.690	17.53	0.419	10.63	0.155	3.94	1.04	4.63	3.8	0.67
C0240-020-0750-X					0.750	19.05	0.453	11.50	0.164	4.17			3.5	0.61
C0240-020-0810-X	0.240	6.10			0.810	20.57	0.481	12.23	0.172	4.37			3.2	0.56
C0240-020-0880-X					0.880	22.35	0.523	13.29	0.182	4.62			2.9	0.51
C0240-020-1000-X					1.000	25.40	0.597	15.17	0.200	5.08			2.6	0.45
C0240-020-1250-X					1.250	31.75	0.730	18.53	0.236	5.99			2.0	0.35
C0240-020-1500-X					1.500	38.10	0.876	22.24	0.273	6.93			1.7	0.29
C0240-020-1750-X					1.750	44.45	1.015	25.79	0.309	7.85			1.4	0.25
C0240-020-2000-X					2.000	50.80	1.168	29.65	0.346	8.79			1.3	0.22
C0240-022-0250-X					0.250	6.35	0.165	4.19	0.103	2.62			16.2	2.84
C0240-022-0310-X					0.310	7.87	0.200	5.09	0.113	2.87			12.6	2.20
C0240-022-0380-X					0.380	9.65	0.245	6.23	0.115	2.92			10.3	1.79
C0240-022-0440-X					0.440	11.18	0.269	6.84	0.131	3.33			8.1	1.41
C0240-022-0500-X					0.500	12.70	0.305	7.75	0.142	3.61			7.1	1.24
C0240-022-0560-X					0.560	14.22	0.339	8.62	0.154	3.91			6.3	1.09
C0240-022-0620-X					0.620	15.75	0.377	9.57	0.164	4.17			5.7	0.99
C0240-022-0690-X			0.022	0.56	0.690	17.53	0.423	10.75	0.175	4.45	1.38	6.14	5.2	0.90
C0240-022-0750-X					0.750	19.05	0.454	11.54	0.188	4.78			4.7	0.82
C0240-022-0810-X					0.810	20.57	0.492	12.49	0.198	5.03			4.3	0.76
C0240-022-1000-X					1.000	25.40	0.606	15.39	0.236	5.99			3.5	0.61
C0240-022-1250-X					1.250	31.75	0.749	19.01	0.280	7.11			2.8	0.48
C0240-022-1500-X					1.500	38.10	0.909	23.09	0.325	8.26			2.3	0.41
C0240-022-1750-X					1.750	44.45	1.060	26.94	0.369	9.37			2.0	0.35
C0240-022-2000-X					2.000	50.80	1.212	30.78	0.413	10.49			1.8	0.31
C0240-024-0380-X					0.380	9.65	0.248	6.30	0.142	3.61			13.5	2.36
C0240-024-0440-X					0.440	11.18	0.284	7.21	0.155	3.94			11.4	2.00
C0240-024-0500-X					0.500	12.70	0.320	8.13	0.168	4.27			9.9	1.74
C0240-024-0560-X					0.560	14.22	0.356	9.05	0.180	4.57			8.8	1.53
C0240-024-0620-X					0.620	15.75	0.392	9.97	0.193	4.90			7.8	1.37
C0240-024-0690-X					0.690	17.53	0.435	11.06	0.208	5.28			7.0	1.23
C0240-024-0750-X			0.024	0.61	0.750	19.05	0.469	11.90	0.221	5.61	1.78	7.92	6.3	1.11
C0240-024-0810-X					0.810	20.57	0.504	12.81	0.233	5.92			5.8	1.02
C0240-024-0880-X					0.880	22.35	0.546	13.86	0.248	6.30			5.3	0.93
C0240-024-1000-X					1.000	25.40	0.618	15.70	0.274	6.96			4.7	0.82
C0240-024-1250-X					1.250	31.75	0.775	19.68	0.327	8.31			3.8	0.66
C0240-024-1500-X					1.500	38.10	0.922	23.42	0.379	9.63			3.1	0.54
C0240-024-1750-X					1.750	44.45	1.082	27.47	0.432	10.97			2.7	0.47
C0240-024-2000-X					2.000	50.80	1.208	30.68	0.485	12.32			2.3	0.39
C0240-026-0310-X			0.026	0.66	0.310	7.87	0.216	5.48	0.138	3.51	2.25	10.01	23.9	4.19



TO ORDER: WWW.ASRAYMOND.COM OR SEE PHONE & FAX NUMBERS ON BACK COVER

SPEC

316 STAINLESS STEEL

Catalog Number	Outside Diameter (OD)		Wire Diameter (d)		Free Length (L) Approx.		Load Length (L1)		Solid Height (Sh) Approx.		Load (P) at L1		Spring Rate (R)	
	in	mm	in	mm	in	mm	in	mm	in	mm	lb	N	lb/in	N/mm
C0240-026-0380-X					0.380	9.65	0.264	6.70	0.143	3.63			19.4	3.40
C0240-026-0440-X					0.440	11.18	0.304	7.72	0.156	3.96			16.6	2.90
C0240-026-0500-X					0.500	12.70	0.344	8.75	0.169	4.29			14.5	2.54
C0240-026-0560-X					0.560	14.22	0.376	9.55	0.188	4.78			12.3	2.15
C0240-026-0620-X					0.620	15.75	0.407	10.33	0.208	5.28			10.6	1.85
C0240-026-0690-X					0.690	17.53	0.446	11.33	0.228	5.79			9.3	1.62
C0240-026-0750-X			0.026	0.66	0.750	19.05	0.479	12.18	0.246	6.25	2.55	10.01	8.3	1.46
C0240-026-0810-X					0.810	20.57	0.519	13.18	0.260	6.60			7.8	1.36
C0240-026-0880-X					0.880	22.35	0.558	14.17	0.281	7.14			7.0	1.23
C0240-026-1000-X					1.000	25.40	0.634	16.11	0.313	7.95			6.2	1.08
C0240-026-1250-X					1.250	31.75	0.791	20.10	0.375	9.53			4.9	0.86
C0240-026-1500-X					1.500	38.10	0.948	24.07	0.437	11.10			4.1	0.71
C0240-026-1750-X					1.750	44.45	1.090	27.68	0.499	12.67			3.4	0.60
C0240-026-2000-X					2.000	50.80	1.248	31.70	0.561	14.25			3.0	0.53
C0240-029-0380-X					0.380	9.65	0.263	6.69	0.185	4.70			26.7	4.67
C0240-029-0440-X					0.440	11.18	0.302	7.67	0.203	5.16			22.5	3.94
C0240-029-0500-X					0.500	12.70	0.340	8.64	0.221	5.61			19.4	3.40
C0240-029-0560-X					0.560	14.22	0.379	9.63	0.240	6.10			17.2	3.01
C0240-029-0620-X					0.620	15.75	0.417	10.60	0.258	6.55			15.3	2.68
C0240-029-0690-X					0.690	17.53	0.461	11.72	0.279	7.09			13.6	2.38
C0240-029-0750-X					0.750	19.05	0.500	12.69	0.298	7.57			12.4	2.17
C0240-029-0810-X					0.810	20.57	0.538	13.66	0.316	8.03			11.4	2.00
C0240-029-0880-X			0.029	0.74	0.880	22.35	0.584	14.84	0.337	8.56	3.11	13.83	10.5	1.84
C0240-029-0940-X					0.940	23.88	0.621	15.78	0.355	9.02			9.8	1.71
C0240-029-1000-X					1.000	25.40	0.661	16.79	0.374	9.50			9.2	1.60
C0240-029-1120-X					1.120	28.45	0.736	18.69	0.410	10.41			8.1	1.41
C0240-029-1250-X					1.250	31.75	0.821	20.87	0.450	11.43			7.3	1.27
C0240-029-1380-X					1.380	35.05	0.902	22.91	0.489	12.42			6.5	1.14
C0240-029-1500-X					1.500	38.10	0.982	24.95	0.526	13.36			6.0	1.05
C0240-029-1750-X					1.750	44.45	1.139	28.93	0.602	15.29			5.1	0.89
C0240-029-2000-X					2.000	50.80	1.297	32.93	0.678	17.22			4.4	0.77
C0240-032-0310-X					0.310	7.87	0.232	5.90	0.167	4.24			53.2	9.31
C0240-032-0380-X					0.380	9.65	0.288	7.31	0.184	4.67			44.8	7.85
C0240-032-0440-X					0.440	11.18	0.325	8.25	0.209	5.31			36.0	6.30
C0240-032-0500-X					0.500	12.70	0.365	9.27	0.232	5.89			30.7	5.37
C0240-032-0560-X					0.560	14.22	0.404	10.27	0.255	6.48			26.6	4.65
C0240-032-0620-X	0.240	6.10			0.620	15.75	0.442	11.24	0.279	7.09			23.3	4.08
C0240-032-0690-X					0.690	17.53	0.491	12.48	0.303	7.70			20.8	3.65
C0240-032-0750-X					0.750	19.05	0.523	13.29	0.335	8.51			18.2	3.19
C0240-032-0810-X			0.032	0.81	0.810	20.57	0.561	14.26	0.359	9.12	4.14	18.41	16.7	2.92
C0240-032-0880-X					0.880	22.35	0.610	15.49	0.384	9.75			15.3	2.68
C0240-032-0940-X					0.940	23.88	0.649	16.49	0.407	10.34			14.2	2.49
C0240-032-1000-X					1.000	25.40	0.687	17.46	0.431	10.95			13.2	2.32
C0240-032-1250-X					1.250	31.75	0.852	21.65	0.526	13.36			10.4	1.82
C0240-032-1380-X					1.380	35.05	0.936	23.78	0.573	14.55			9.3	1.63
C0240-032-1500-X					1.500	38.10	1.017	25.84	0.616	15.65			8.6	1.50
C0240-032-1750-X					1.750	44.45	1.185	30.10	0.707	17.96			7.3	1.28
C0240-032-2000-X					2.000	50.80	1.346	34.19	0.797	20.24			6.3	1.11
C0240-035-0310-X					0.310	7.87	0.236	5.99	0.206	5.23			72.4	12.68
C0240-035-0380-X					0.380	9.65	0.284	7.22	0.235	5.97			56.1	9.82
C0240-035-0440-X					0.440	11.18	0.326	8.27	0.260	6.60			47.0	8.23
C0240-035-0500-X					0.500	12.70	0.367	9.32	0.286	7.26			40.4	7.07
C0240-035-0560-X					0.560	14.22	0.409	10.38	0.311	7.90			35.5	6.21
C0240-035-0620-X					0.620	15.75	0.450	11.43	0.336	8.53			31.6	5.53
C0240-035-0690-X					0.690	17.53	0.498	12.65	0.366	9.30			28.0	4.90
C0240-035-0750-X					0.750	19.05	0.540	13.71	0.391	9.93			25.6	4.48
C0240-035-0810-X					0.810	20.57	0.581	14.77	0.416	10.57			23.5	4.11
C0240-035-0880-X			0.035	0.89	0.880	22.35	0.629	15.98	0.445	11.30	5.37	23.89	21.4	3.75
C0240-035-0940-X					0.940	23.88	0.671	17.05	0.471	11.96			20.0	3.50
C0240-035-1000-X					1.000	25.40	0.712	18.09	0.496	12.60			18.7	3.27
C0240-035-1250-X					1.250	31.75	0.886	22.50	0.601	15.27			14.7	2.58
C0240-035-1380-X					1.380	35.05	0.974	24.75	0.656	16.66			13.2	2.32
C0240-035-1500-X					1.500	38.10	1.058	26.88	0.706	17.93			12.2	2.13
C0240-035-1750-X					1.750	44.45	1.230	31.24	0.811	20.60			10.3	1.81
C0240-035-2000-X					2.000	50.80	1.403	35.63	0.916	23.27			9.0	1.58
C0240-035-2250-X					2.250	57.15	1.578	40.09	1.021	25.93			8.0	1.40
C0240-035-2500-X					2.500	63.50	1.750	44.45	1.126	28.60			7.2	1.25
C0240-038-0310-X					0.310	7.87	0.246	6.24	0.208	5.28			105.9	18.54
C0240-038-0380-X					0.380	9.65	0.299	7.60	0.237	6.02			84.6	14.81
C0240-038-0440-X					0.440	11.18	0.343	8.71	0.265	6.73			70.3	12.31
C0240-038-0500-X			0.038	0.97	0.500	12.70	0.387	9.83	0.294	7.47	6.81	30.29	60.2	10.55
C0240-038-0560-X					0.560	14.22	0.431	10.94	0.323	8.20			52.7	9.22
C0240-038-0620-X					0.620	15.75	0.475	12.06	0.350	8.89			47.0	8.23



COMPRESSION SPRINGS
316 STAINLESS STEEL



SPEC

TO ORDER: WWW.ASRAYMOND.COM OR SEE PHONE & FAX NUMBERS ON BACK COVER

316 STAINLESS STEEL

Catalog Number	Outside Diameter (OD)		Wire Diameter (d)		Free Length (L) Approx.		Load Length (L1)		Solid Height (Sh) Approx.		Load (P) at L1		Spring Rate (R)	
	in	mm	in	mm	in	mm	in	mm	in	mm	lb	N	lb/in	N/mm
C0240-038-0690-X					0.690	17.53	0.529	13.43	0.379	9.63			42.2	7.40
C0240-038-0750-X					0.750	19.05	0.573	14.54	0.407	10.34			38.4	6.72
C0240-038-0810-X					0.810	20.57	0.616	15.65	0.436	11.07			35.2	6.16
C0240-038-0880-X					0.880	22.35	0.665	16.88	0.474	12.04			31.7	5.54
C0240-038-0940-X					0.940	23.88	0.704	17.87	0.511	12.98			28.8	5.05
C0240-038-1000-X					1.000	25.40	0.747	18.97	0.541	13.74			26.9	4.71
C0240-038-1120-X			0.038	0.97	1.120	28.45	0.835	21.21	0.597	15.16	6.81	30.29	23.9	4.19
C0240-038-1250-X					1.250	31.75	0.933	23.70	0.653	16.59			21.5	3.76
C0240-038-1380-X					1.380	35.05	1.030	26.17	0.711	18.06			19.5	3.41
C0240-038-1500-X					1.500	38.10	1.118	28.39	0.768	19.51			17.8	3.12
C0240-038-1750-X					1.750	44.45	1.277	32.44	0.912	23.16			14.4	2.52
C0240-038-2000-X					2.000	50.80	1.458	37.04	1.032	26.21			12.6	2.20
C0240-038-2250-X					2.250	57.15	1.635	41.53	1.151	29.24			11.1	1.94
C0240-038-2500-X					2.500	63.50	1.818	46.18	1.270	32.26			10.0	1.75
C0240-040-0310-X					0.310	7.87	0.249	6.33	0.220	5.59			129.8	22.73
C0240-040-0380-X					0.380	9.65	0.301	7.63	0.274	6.96			99.5	17.42
C0240-040-0440-X					0.440	11.18	0.345	8.76	0.305	7.75			82.9	14.51
C0240-040-0500-X					0.500	12.70	0.389	9.88	0.336	8.53			71.1	12.44
C0240-040-0560-X					0.560	14.22	0.433	11.00	0.366	9.30			62.2	10.90
C0240-040-0620-X					0.620	15.75	0.477	12.12	0.397	10.08			55.3	9.69
C0240-040-0690-X					0.690	17.53	0.528	13.42	0.433	11.00			48.9	8.56
C0240-040-0750-X					0.750	19.05	0.573	14.55	0.464	11.79			44.6	7.81
C0240-040-0810-X					0.810	20.57	0.617	15.67	0.495	12.57			40.9	7.16
C0240-040-0880-X			0.040	1.02	0.880	22.35	0.668	16.98	0.531	13.49	7.90	35.14	37.3	6.54
C0240-040-0940-X					0.940	23.88	0.713	18.10	0.562	14.27			34.7	6.08
C0240-040-1000-X					1.000	25.40	0.757	19.22	0.592	15.04			32.5	5.69
C0240-040-1120-X					1.120	28.45	0.845	21.47	0.654	16.61			28.7	5.03
C0240-040-1250-X					1.250	31.75	0.940	23.88	0.721	18.31			25.5	4.46
C0240-040-1380-X					1.380	35.05	1.036	26.32	0.788	20.02			23.0	4.03
C0240-040-1500-X					1.500	38.10	1.124	28.54	0.849	21.56			21.0	3.68
C0240-040-1750-X					1.750	44.45	1.309	33.25	0.977	24.82			17.9	3.14
C0240-040-2000-X					2.000	50.80	1.493	37.92	1.106	28.09			15.6	2.73
C0240-040-2250-X					2.250	57.15	1.675	42.55	1.417	35.99			13.7	2.41
C0240-040-2500-X	0.240	6.10			2.500	63.50	1.859	47.23	1.363	34.62			12.3	2.16
C0240-042-0380-X					0.380	9.65	0.309	7.86	0.272	6.91			125.8	22.03
C0240-042-0440-X					0.440	11.18	0.353	8.97	0.310	7.87			102.5	17.94
C0240-042-0500-X					0.500	12.70	0.399	10.14	0.343	8.71			88.3	15.46
C0240-042-0560-X					0.560	14.22	0.446	11.34	0.373	9.47			78.3	13.71
C0240-042-0620-X					0.620	15.75	0.494	12.56	0.401	10.19			70.8	12.40
C0240-042-0690-X					0.690	17.53	0.548	13.91	0.441	11.20			62.5	10.94
C0240-042-0750-X					0.750	19.05	0.583	14.81	0.499	12.67			53.3	9.34
C0240-042-0810-X					0.810	20.57	0.632	16.06	0.525	13.34			50.0	8.75
C0240-042-0880-X					0.880	22.35	0.689	17.51	0.556	14.12			46.7	8.17
C0240-042-0940-X			0.042	1.07	0.940	23.88	0.731	18.56	0.600	15.24	8.89	39.54	42.5	7.44
C0240-042-1000-X					1.000	25.40	0.778	19.75	0.631	16.03			40.0	7.00
C0240-042-1120-X					1.120	28.45	0.869	22.07	0.699	17.75			35.4	6.20
C0240-042-1250-X					1.250	31.75	0.965	24.52	0.778	19.76			31.2	5.47
C0240-042-1380-X					1.380	35.05	1.066	27.08	0.847	21.51			28.3	4.96
C0240-042-1500-X					1.500	38.10	1.150	29.21	0.933	23.70			25.4	4.45
C0240-042-1750-X					1.750	44.45	1.347	34.22	1.040	26.42			22.1	3.86
C0240-042-2000-X					2.000	50.80	1.536	39.01	1.177	29.90			19.2	3.36
C0240-042-2250-X					2.250	57.15	1.727	43.86	1.314	33.38			17.0	2.98
C0240-042-2500-X					2.500	63.50	1.917	48.68	1.452	36.88			15.2	2.67
C0240-045-0440-X					0.440	11.18	0.366	9.29	0.326	8.28			145.7	25.51
C0240-045-0500-X					0.500	12.70	0.413	10.49	0.361	9.17			124.4	21.78
C0240-045-0560-X					0.560	14.22	0.460	11.69	0.396	10.06			108.5	18.99
C0240-045-0620-X					0.620	15.75	0.507	12.89	0.436	11.07			96.2	16.85
C0240-045-0690-X					0.690	17.53	0.563	14.29	0.477	12.12			85.0	14.88
C0240-045-0750-X					0.750	19.05	0.610	15.49	0.516	13.11			77.2	13.52
C0240-045-0810-X					0.810	20.57	0.657	16.69	0.551	14.00			70.8	12.40
C0240-045-0880-X			0.045	1.14	0.880	22.35	0.712	18.09	0.594	15.09	10.82	48.13	64.6	11.31
C0240-045-1000-X					1.000	25.40	0.807	20.50	0.667	16.94			56.1	9.82
C0240-045-1250-X					1.250	31.75	1.004	25.50	0.813	20.65			44.0	7.70
C0240-045-1500-X					1.500	38.10	1.201	30.50	0.959	24.36			36.2	6.33
C0240-045-1750-X					1.750	44.45	1.398	35.51	1.105	28.07			30.7	5.38
C0240-045-2000-X					2.000	50.80	1.594	40.49	1.251	31.78			26.7	4.67
C0240-045-2250-X					2.250	57.15	1.791	45.49	1.397	35.48			23.6	4.13
C0240-045-2500-X					2.500	63.50	1.988	50.51	1.543	39.19			21.2	3.71
C0300-022-0380-X					0.380	9.65	0.232	5.88	0.100	2.54			7.5	1.31
C0300-022-0440-X					0.440	11.18	0.264	6.71	0.106	2.69			6.3	1.11
C0300-022-0500-X	0.300	7.62	0.022	0.56	0.500	12.70	0.298	7.56	0.109	2.77	1.11	4.94	5.5	0.96
C0300-022-0560-X					0.560	14.22	0.334	8.47	0.115	2.92			4.9	0.86
C0300-022-0620-X					0.620	15.75	0.353	8.96	0.126	3.20			4.2	0.73



TO ORDER: WWW.ASRAYMOND.COM OR SEE PHONE & FAX NUMBERS ON BACK COVER

SPEC



316 STAINLESS STEEL

Catalog Number	Outside Diameter (OD)		Wire Diameter (d)		Free Length (L) Approx.		Load Length (L1)		Solid Height (Sh) Approx.		Load (P) at L1		Spring Rate (R)	
	in	mm	in	mm	in	mm	in	mm	in	mm	lb	N	lb/in	N/mm
C0300-022-0690-X					0.690	17.53	0.406	10.30	0.131	3.33			3.9	0.69
C0300-022-0750-X					0.750	19.05	0.424	10.77	0.142	3.61			3.4	0.60
C0300-022-0810-X					0.810	20.57	0.458	11.64	0.149	3.78			3.2	0.56
C0300-022-0880-X					0.880	22.35	0.509	12.92	0.154	3.91			3.0	0.53
C0300-022-1000-X					1.000	25.40	0.582	14.79	0.175	4.45			2.7	0.47
C0300-022-1250-X			0.022	0.56	1.250	31.75	0.715	18.17	0.204	5.18	1.11	4.94	2.1	0.36
C0300-022-1500-X					1.500	38.10	0.864	21.94	0.232	5.89			1.8	0.31
C0300-022-1750-X					1.750	44.45	1.008	25.59	0.261	6.63			1.5	0.26
C0300-022-2000-X					2.000	50.80	1.109	28.17	0.289	7.34			1.3	0.22
C0300-022-2250-X					2.250	57.15	1.295	32.91	0.308	7.82			1.2	0.20
C0300-022-2500-X					2.500	63.50	1.472	37.39	0.334	8.48			1.1	0.19
C0300-026-0440-X					0.440	11.18	0.275	6.99	0.130	3.30			11.1	1.94
C0300-026-0500-X					0.500	12.70	0.303	7.69	0.143	3.63			9.3	1.62
C0300-026-0560-X					0.560	14.22	0.347	8.82	0.148	3.76			8.6	1.50
C0300-026-0620-X					0.620	15.75	0.374	9.50	0.162	4.11			7.4	1.30
C0300-026-0690-X					0.690	17.53	0.409	10.39	0.176	4.47			6.5	1.14
C0300-026-0750-X					0.750	19.05	0.454	11.53	0.182	4.62			6.2	1.08
C0300-026-0810-X					0.810	20.57	0.483	12.27	0.194	4.93			5.6	0.98
C0300-026-0880-X			0.026	0.66	0.880	22.35	0.521	13.23	0.206	5.23	1.83	8.14	5.1	0.89
C0300-026-0940-X					0.940	23.88	0.542	13.76	0.222	5.64			4.6	0.80
C0300-026-1000-X					1.000	25.40	0.570	14.49	0.234	5.94			4.3	0.74
C0300-026-1250-X					1.250	31.75	0.740	18.81	0.272	6.91			3.6	0.63
C0300-026-1500-X					1.500	38.10	0.874	22.20	0.313	7.95			2.9	0.51
C0300-026-1750-X					1.750	44.45	1.020	25.90	0.354	8.99			2.5	0.44
C0300-026-2000-X					2.000	50.80	1.157	29.40	0.394	10.01			2.2	0.38
C0300-026-2250-X					2.250	57.15	1.374	34.89	0.416	10.57			2.1	0.36
C0300-026-2500-X					2.500	63.50	1.504	38.20	0.455	11.56			1.8	0.32
C0300-030-0440-X					0.440	11.18	0.285	7.23	0.172	4.37			17.9	3.14
C0300-030-0500-X					0.500	12.70	0.320	8.14	0.185	4.70			15.5	2.71
C0300-030-0560-X					0.560	14.22	0.356	9.05	0.198	5.03			13.7	2.39
C0300-030-0620-X					0.620	15.75	0.391	9.93	0.212	5.38			12.2	2.13
C0300-030-0690-X					0.690	17.53	0.433	11.00	0.227	5.77			10.8	1.90
C0300-030-0750-X					0.750	19.05	0.469	11.92	0.240	6.10			9.9	1.74
C0300-030-0810-X					0.810	20.57	0.503	12.79	0.253	6.43			9.1	1.59
C0300-030-0880-X			0.030	0.76	0.880	22.35	0.546	13.86	0.268	6.81	2.78	12.37	8.3	1.46
C0300-030-0940-X					0.940	23.88	0.581	14.75	0.281	7.14			7.8	1.36
C0300-030-1000-X	0.300	7.62			1.000	25.40	0.616	15.64	0.294	7.47			7.3	1.27
C0300-030-1250-X					1.250	31.75	0.766	19.45	0.348	8.84			5.8	1.01
C0300-030-1500-X					1.500	38.10	0.914	23.21	0.402	10.21			4.8	0.83
C0300-030-1750-X					1.750	44.45	1.054	26.77	0.457	11.61			4.0	0.70
C0300-030-2000-X					2.000	50.80	1.204	30.59	0.511	12.98			3.5	0.61
C0300-030-2250-X					2.250	57.15	1.347	34.21	0.565	14.35			3.1	0.54
C0300-030-2500-X					2.500	63.50	1.517	38.53	0.619	15.72			2.8	0.50
C0300-032-0440-X					0.440	11.18	0.292	7.42	0.175	4.45			22.7	3.98
C0300-032-0500-X					0.500	12.70	0.329	8.35	0.190	4.83			19.7	3.44
C0300-032-0560-X					0.560	14.22	0.362	9.19	0.208	5.28			17.0	2.98
C0300-032-0620-X					0.620	15.75	0.398	10.11	0.223	5.66			15.2	2.65
C0300-032-0690-X					0.690	17.53	0.442	11.23	0.240	6.10			13.6	2.38
C0300-032-0750-X					0.750	19.05	0.479	12.16	0.255	6.48			12.4	2.17
C0300-032-0810-X					0.810	20.57	0.513	13.03	0.272	6.91			11.3	1.98
C0300-032-0880-X			0.032	0.81	0.880	22.35	0.559	14.21	0.287	7.29	3.37	14.99	10.5	1.84
C0300-032-0940-X					0.940	23.88	0.582	14.79	0.311	7.90			9.4	1.65
C0300-032-1000-X					1.000	25.40	0.619	15.72	0.326	8.28			8.8	1.55
C0300-032-1250-X					1.250	31.75	0.780	19.82	0.388	9.86			7.2	1.25
C0300-032-1500-X					1.500	38.10	0.931	23.64	0.450	11.43			5.9	1.03
C0300-032-1750-X					1.750	44.45	1.077	27.34	0.511	12.98			5.0	0.88
C0300-032-2000-X					2.000	50.80	1.238	31.44	0.573	14.55			4.4	0.77
C0300-032-2250-X					2.250	57.15	1.425	36.20	0.608	15.44			4.1	0.71
C0300-032-2500-X					2.500	63.50	1.582	40.17	0.656	16.66			3.7	0.64
C0300-035-0380-X					0.380	9.65	0.266	6.75	0.193	4.90			38.3	6.71
C0300-035-0440-X					0.440	11.18	0.303	7.71	0.210	5.33			32.1	5.62
C0300-035-0500-X					0.500	12.70	0.342	8.68	0.227	5.77			27.7	4.84
C0300-035-0560-X					0.560	14.22	0.379	9.64	0.244	6.20			24.2	4.24
C0300-035-0620-X					0.620	15.75	0.417	10.59	0.262	6.65			21.6	3.78
C0300-035-0690-X					0.690	17.53	0.461	11.72	0.281	7.14			19.2	3.36
C0300-035-0750-X			0.035	0.89	0.750	19.05	0.500	12.69	0.298	7.57	4.38	19.48	17.5	3.06
C0300-035-0810-X					0.810	20.57	0.538	13.66	0.316	8.03			16.1	2.82
C0300-035-0880-X					0.880	22.35	0.581	14.77	0.335	8.51			14.7	2.57
C0300-035-0940-X					0.940	23.88	0.619	15.73	0.353	8.97			13.7	2.39
C0300-035-1000-X					1.000	25.40	0.656	16.67	0.370	9.40			12.7	2.23
C0300-035-1120-X					1.120	28.45	0.733	18.63	0.404	10.26			11.3	1.98
C0300-035-1250-X					1.250	31.75	0.816	20.72	0.441	11.20			10.1	1.77
C0300-035-1380-X					1.380	35.05	0.898	22.80	0.478	12.14			9.1	1.59

COMPRESSION SPRINGS
316 STAINLESS STEEL



SPEC

TO ORDER: WWW.ASRAYMOND.COM OR SEE PHONE & FAX NUMBERS ON BACK COVER

316 STAINLESS STEEL

Catalog Number	Outside Diameter (OD)		Wire Diameter (d)		Free Length (L) Approx.		Load Length (L1)		Solid Height (Sh) Approx.		Load (P) at L1		Spring Rate (R)	
	in	mm	in	mm	in	mm	in	mm	in	mm	lb	N	lb/in	N/mm
C0300-035-1500-X			0.035	0.89	1.500	38.10	0.974	24.75	0.512	13.00	4.38	19.48	8.3	1.46
C0300-035-1750-X					1.750	44.45	1.132	28.74	0.583	14.81			7.1	1.24
C0300-035-2000-X					2.000	50.80	1.290	32.76	0.654	16.61			6.2	1.08
C0300-035-2250-X					2.250	57.15	1.441	36.61	0.725	18.42			5.4	0.95
C0300-035-2500-X					2.500	63.50	1.609	40.87	0.796	20.22			4.9	0.86
C0300-038-0380-X			0.038	0.97	0.380	9.65	0.276	7.02	0.197	5.00	5.57	24.78	53.7	9.41
C0300-038-0440-X					0.440	11.18	0.315	8.00	0.218	5.54			44.6	7.81
C0300-038-0500-X					0.500	12.70	0.356	9.04	0.237	6.02			38.7	6.77
C0300-038-0560-X					0.560	14.22	0.388	9.85	0.265	6.73			32.3	5.66
C0300-038-0620-X					0.620	15.75	0.428	10.88	0.284	7.21			29.1	5.09
C0300-038-0690-X					0.690	17.53	0.469	11.92	0.313	7.95			25.2	4.42
C0300-038-0750-X					0.750	19.05	0.510	12.96	0.331	8.41			23.2	4.07
C0300-038-0810-X					0.810	20.57	0.551	13.99	0.351	8.92			21.5	3.76
C0300-038-0880-X					0.880	22.35	0.592	15.03	0.379	9.63			19.3	3.39
C0300-038-0940-X					0.940	23.88	0.633	16.09	0.398	10.11			18.2	3.18
C0300-038-1000-X					1.000	25.40	0.674	17.12	0.417	10.59			17.1	2.99
C0300-038-1120-X					1.120	28.45	0.755	19.17	0.456	11.58			15.2	2.67
C0300-038-1250-X					1.250	31.75	0.847	21.52	0.493	12.52			13.8	2.42
C0300-038-1380-X					1.380	35.05	0.937	23.80	0.532	13.51			12.6	2.20
C0300-038-1500-X					1.500	38.10	1.019	25.88	0.570	14.48			11.6	2.03
C0300-038-1750-X			1.750	44.45	1.153	29.29	0.680	17.27	9.3	1.63				
C0300-038-2000-X			2.000	50.80	1.311	33.29	0.765	19.43	8.1	1.41				
C0300-038-2250-X			2.250	57.15	1.507	38.28	0.806	20.47	7.5	1.31				
C0300-038-2500-X			2.500	63.50	1.685	42.79	0.874	22.20	6.8	1.20				
C0300-040-0380-X			0.040	1.02	0.380	9.65	0.277	7.04	0.231	5.87	6.47	28.78	62.9	11.01
C0300-040-0440-X					0.440	11.18	0.317	8.04	0.253	6.43			52.4	9.18
C0300-040-0500-X					0.500	12.70	0.356	9.04	0.275	6.99			44.9	7.86
C0300-040-0560-X					0.560	14.22	0.395	10.04	0.297	7.54			39.3	6.89
C0300-040-0620-X					0.620	15.75	0.435	11.04	0.320	8.13			34.9	6.11
C0300-040-0690-X					0.690	17.53	0.481	12.21	0.346	8.79			30.9	5.41
C0300-040-0750-X					0.750	19.05	0.520	13.21	0.368	9.35			28.2	4.93
C0300-040-0810-X					0.810	20.57	0.559	14.21	0.390	9.91			25.8	4.52
C0300-040-0880-X					0.880	22.35	0.606	15.38	0.416	10.57			23.6	4.13
C0300-040-0940-X					0.940	23.88	0.645	16.38	0.438	11.13			21.9	3.84
C0300-040-1000-X					1.000	25.40	0.684	17.38	0.460	11.68			20.5	3.59
C0300-040-1120-X					1.120	28.45	0.764	19.40	0.505	12.83			18.2	3.18
C0300-040-1250-X	0.300	7.62			1.250	31.75	0.850	21.58	0.553	14.05			16.2	2.83
C0300-040-1380-X					1.380	35.05	0.934	23.72	0.601	15.27			14.5	2.54
C0300-040-1500-X					1.500	38.10	1.015	25.77	0.645	16.38			13.3	2.33
C0300-040-1750-X			1.750	44.45	1.179	29.95	0.737	18.72	11.3	1.98				
C0300-040-2000-X			2.000	50.80	1.342	34.08	0.830	21.08	9.8	1.72				
C0300-040-2250-X			2.250	57.15	1.503	38.18	0.922	23.42	8.7	1.52				
C0300-040-2500-X			2.500	63.50	1.674	42.52	1.015	25.78	7.8	1.37				
C0300-042-0380-X			0.042	1.07	0.380	9.65	0.299	7.60	0.210	5.33	7.30	32.47	90.2	15.80
C0300-042-0440-X					0.440	11.18	0.344	8.73	0.230	5.84			75.6	13.25
C0300-042-0500-X					0.500	12.70	0.376	9.55	0.266	6.76			58.9	10.31
C0300-042-0560-X					0.560	14.22	0.414	10.53	0.294	7.47			50.2	8.78
C0300-042-0620-X					0.620	15.75	0.450	11.44	0.325	8.26			43.0	7.53
C0300-042-0690-X					0.690	17.53	0.496	12.59	0.357	9.07			37.6	6.58
C0300-042-0750-X					0.750	19.05	0.540	13.71	0.378	9.60			34.7	6.08
C0300-042-0810-X					0.810	20.57	0.576	14.62	0.409	10.39			31.2	5.45
C0300-042-0880-X					0.880	22.35	0.621	15.77	0.442	11.23			28.2	4.93
C0300-042-0940-X					0.940	23.88	0.665	16.90	0.462	11.73			26.6	4.65
C0300-042-1000-X					1.000	25.40	0.709	18.01	0.484	12.29			25.1	4.39
C0300-042-1120-X					1.120	28.45	0.797	20.24	0.526	13.36			22.6	3.95
C0300-042-1250-X					1.250	31.75	0.887	22.52	0.578	14.68			20.1	3.52
C0300-042-1380-X					1.380	35.05	0.976	24.80	0.630	16.00			18.1	3.17
C0300-042-1500-X					1.500	38.10	1.055	26.81	0.684	17.37			16.4	2.87
C0300-042-1750-X			1.750	44.45	1.216	30.88	0.794	20.17	13.7	2.39				
C0300-042-2000-X			2.000	50.80	1.383	35.13	0.894	22.71	11.8	2.07				
C0300-042-2250-X			2.250	57.15	1.555	39.49	0.995	25.27	10.5	1.84				
C0300-042-2500-X			2.500	63.50	1.758	44.64	1.050	26.67	9.8	1.72				
C0300-045-0380-X			0.045	1.14	0.380	9.65	0.293	7.45	0.247	6.27	8.91	39.63	102.9	18.02
C0300-045-0440-X					0.440	11.18	0.339	8.61	0.269	6.83			88.4	15.48
C0300-045-0500-X					0.500	12.70	0.384	9.76	0.292	7.42			77.1	13.51
C0300-045-0560-X					0.560	14.22	0.423	10.75	0.325	8.26			65.2	11.42
C0300-045-0620-X					0.620	15.75	0.462	11.73	0.359	9.12			56.3	9.86
C0300-045-0690-X					0.690	17.53	0.517	13.14	0.381	9.68			51.7	9.04
C0300-045-0750-X					0.750	19.05	0.555	14.11	0.415	10.54			45.8	8.02
C0300-045-0810-X					0.810	20.57	0.601	15.28	0.437	11.10			42.7	7.48
C0300-045-0880-X					0.880	22.35	0.649	16.49	0.472	11.99			38.7	6.77
C0300-045-0940-X					0.940	23.88	0.688	17.47	0.506	12.85			35.3	6.19
C0300-045-1000-X					1.000	25.40	0.734	18.64	0.527	13.39			33.5	5.86



TO ORDER: WWW.ASRAYMOND.COM OR SEE PHONE & FAX NUMBERS ON BACK COVER

SPEC

316 STAINLESS STEEL

Catalog Number	Outside Diameter (OD)		Wire Diameter (d)		Free Length (L) Approx.		Load Length (L1)		Solid Height (Sh) Approx.		Load (P) at L1		Spring Rate (R)	
	in	mm	in	mm	in	mm	in	mm	in	mm	lb	N	lb/in	N/mm
C0300-045-1120-X					1.120	28.45	0.824	20.94	0.573	14.55			30.2	5.28
C0300-045-1250-X					1.250	31.75	0.919	23.33	0.629	15.98			26.9	4.71
C0300-045-1380-X					1.380	35.05	1.012	25.71	0.686	17.42			24.2	4.24
C0300-045-1500-X					1.500	38.10	1.096	27.84	0.742	18.85			22.1	3.86
C0300-045-1750-X					1.750	44.45	1.252	31.81	0.878	22.30	8.91	39.63	17.9	3.14
C0300-045-2000-X					2.000	50.80	1.428	36.26	0.990	25.15			15.6	2.73
C0300-045-2250-X					2.250	57.15	1.605	40.78	1.102	27.99			13.8	2.42
C0300-045-2500-X					2.500	63.50	1.814	46.08	1.170	29.72			13.0	2.27
C0300-047-0380-X					0.380	9.65	0.304	7.71	0.250	6.35			132.5	23.19
C0300-047-0440-X					0.440	11.18	0.348	8.83	0.279	7.09			109.5	19.17
C0300-047-0500-X					0.500	12.70	0.392	9.95	0.311	7.90			93.3	16.34
C0300-047-0560-X					0.560	14.22	0.436	11.07	0.343	8.71			81.3	14.24
C0300-047-0620-X					0.620	15.75	0.480	12.18	0.374	9.50			72.1	12.62
C0300-047-0690-X					0.690	17.53	0.531	13.49	0.408	10.36			63.6	11.13
C0300-047-0750-X					0.750	19.05	0.575	14.60	0.435	11.05			57.7	10.11
C0300-047-0810-X					0.810	20.57	0.619	15.72	0.461	11.71			52.9	9.26
C0300-047-0880-X					0.880	22.35	0.670	17.03	0.493	12.52			48.2	8.45
C0300-047-0940-X					0.940	23.88	0.714	18.15	0.520	13.21			44.8	7.85
C0300-047-1000-X					1.000	25.40	0.758	19.26	0.547	13.89	10.11	44.97	41.8	7.32
C0300-047-1120-X					1.120	28.45	0.846	21.49	0.600	15.24			36.9	6.46
C0300-047-1250-X					1.250	31.75	0.941	23.91	0.658	16.71			32.7	5.73
C0300-047-1380-X					1.380	35.05	1.037	26.35	0.717	18.21			29.5	5.16
C0300-047-1500-X					1.500	38.10	1.124	28.56	0.770	19.56			26.9	4.71
C0300-047-1750-X					1.750	44.45	1.309	33.24	0.882	22.40			22.9	4.01
C0300-047-2000-X					2.000	50.80	1.492	37.90	0.994	25.25			19.9	3.49
C0300-047-2250-X					2.250	57.15	1.675	42.54	1.106	28.09			17.6	3.08
C0300-047-2500-X					2.500	63.50	1.858	47.19	1.218	30.94			15.7	2.76
C0300-047-2750-X					2.750	69.85	2.040	51.83	1.330	33.78			14.2	2.49
C0300-047-3000-X					3.000	76.20	2.227	56.57	1.442	36.63			13.1	2.29
C0300-049-0380-X					0.380	9.65	0.309	7.86	0.263	6.68			157.9	27.64
C0300-049-0440-X					0.440	11.18	0.354	9.00	0.294	7.47			130.2	22.80
C0300-049-0500-X					0.500	12.70	0.399	10.14	0.328	8.33			110.8	19.40
C0300-049-0560-X					0.560	14.22	0.444	11.29	0.362	9.19			96.4	16.88
C0300-049-0620-X					0.620	15.75	0.489	12.43	0.395	10.03			85.3	14.94
C0300-049-0690-X					0.690	17.53	0.542	13.76	0.431	10.95			75.2	13.17
C0300-049-0750-X	0.300	7.62			0.750	19.05	0.587	14.90	0.460	11.68			68.3	11.96
C0300-049-0810-X					0.810	20.57	0.632	16.05	0.489	12.42			62.6	10.96
C0300-049-0880-X					0.880	22.35	0.684	17.38	0.523	13.28			57.0	9.98
C0300-049-0940-X					0.940	23.88	0.729	18.52	0.551	14.00			52.9	9.26
C0300-049-1000-X					1.000	25.40	0.774	19.67	0.580	14.73	11.15	49.60	49.4	8.65
C0300-049-1120-X					1.120	28.45	0.864	21.95	0.638	16.21			43.6	7.63
C0300-049-1250-X					1.250	31.75	0.962	24.42	0.700	17.78			38.7	6.77
C0300-049-1380-X					1.380	35.05	1.059	26.90	0.763	19.38			34.7	6.08
C0300-049-1500-X					1.500	38.10	1.149	29.18	0.821	20.85			31.7	5.56
C0300-049-1750-X					1.750	44.45	1.337	33.96	0.941	23.90			27.0	4.73
C0300-049-2000-X					2.000	50.80	1.524	38.70	1.061	26.95			23.4	4.10
C0300-049-2250-X					2.250	57.15	1.710	43.44	1.181	30.00			20.7	3.62
C0300-049-2500-X					2.500	63.50	1.900	48.25	1.301	33.05			18.6	3.25
C0300-049-2750-X					2.750	69.85	2.087	53.02	1.421	36.09			16.8	2.95
C0300-049-3000-X					3.000	76.20	2.273	57.72	1.541	39.14			15.3	2.68
C0300-051-0380-X					0.380	9.65	0.314	7.97	0.274	6.96			188.8	33.06
C0300-051-0440-X					0.440	11.18	0.359	9.13	0.308	7.82			155.3	27.19
C0300-051-0500-X					0.500	12.70	0.405	10.29	0.343	8.71			131.9	23.09
C0300-051-0560-X					0.560	14.22	0.451	11.45	0.379	9.63			114.5	20.06
C0300-051-0620-X					0.620	15.75	0.497	12.61	0.415	10.54			101.3	17.74
C0300-051-0690-X					0.690	17.53	0.550	13.96	0.453	11.51			89.2	15.62
C0300-051-0750-X					0.750	19.05	0.596	15.13	0.483	12.27			81.0	14.18
C0300-051-0810-X					0.810	20.57	0.641	16.29	0.514	13.06			74.1	12.98
C0300-051-0880-X					0.880	22.35	0.695	17.64	0.550	13.97			67.5	11.82
C0300-051-0940-X					0.940	23.88	0.740	18.80	0.580	14.73			62.6	10.97
C0300-051-1000-X					1.000	25.40	0.786	19.96	0.611	15.52	12.51	55.64	58.4	10.23
C0300-051-1120-X					1.120	28.45	0.877	22.29	0.672	17.07			51.6	9.03
C0300-051-1250-X					1.250	31.75	0.976	24.80	0.738	18.75			45.7	8.01
C0300-051-1380-X					1.380	35.05	1.075	27.32	0.805	20.45			41.1	7.19
C0300-051-1500-X					1.500	38.10	1.167	29.64	0.866	22.00			37.6	6.58
C0300-051-1750-X					1.750	44.45	1.357	34.47	0.993	25.22			31.8	5.57
C0300-051-2000-X					2.000	50.80	1.548	39.31	1.121	28.47			27.7	4.84
C0300-051-2250-X					2.250	57.15	1.737	44.13	1.248	31.70			24.4	4.27
C0300-051-2500-X					2.500	63.50	1.929	49.00	1.376	34.95			21.9	3.84
C0300-051-2750-X					2.750	69.85	2.119	53.82	1.503	38.18			19.8	3.47
C0300-051-3000-X					3.000	76.20	2.308	58.62	1.631	41.43			18.1	3.17
C0360-026-0500-X	0.360	9.14	0.026	0.66	0.500	12.70	0.300	7.62	0.117	2.97	1.53	6.81	7.7	1.34
C0360-026-0560-X					0.560	14.22	0.336	8.53	0.123	3.12			6.8	1.20



316 STAINLESS STEEL

Catalog Number	Outside Diameter (OD)		Wire Diameter (d)		Free Length (L) Approx.		Load Length (L1)		Solid Height (Sh) Approx.		Load (P) at L1		Spring Rate (R)	
	in	mm	in	mm	in	mm	in	mm	in	mm	lb	N	lb/in	N/mm
C0360-026-0620-X					0.620	15.75	0.371	9.44	0.129	3.28			6.2	1.08
C0360-026-0690-X					0.690	17.53	0.416	10.55	0.136	3.45			5.6	0.98
C0360-026-0750-X					0.750	19.05	0.449	11.39	0.143	3.63			5.1	0.89
C0360-026-0810-X					0.810	20.57	0.487	12.38	0.148	3.76			4.8	0.83
C0360-026-0880-X					0.880	22.35	0.505	12.82	0.162	4.11			4.1	0.71
C0360-026-0940-X			0.026	0.66	0.940	23.88	0.540	13.72	0.169	4.29	1.53	6.81	3.8	0.67
C0360-026-1000-X					1.000	25.40	0.551	14.01	0.181	4.60			3.4	0.60
C0360-026-1120-X					1.120	28.45	0.648	16.47	0.187	4.75			3.3	0.57
C0360-026-1250-X					1.250	31.75	0.709	18.01	0.213	5.41			2.8	0.50
C0360-026-1500-X					1.500	38.10	0.843	21.42	0.242	6.15			2.3	0.41
C0360-026-1750-X					1.750	44.45	0.984	24.99	0.270	6.86			2.0	0.35
C0360-026-2000-X					2.000	50.80	1.124	28.56	0.298	7.57			1.8	0.31
C0360-029-0500-X					0.500	12.70	0.303	7.70	0.150	3.81			10.8	1.88
C0360-029-0560-X					0.560	14.22	0.337	8.56	0.159	4.04			9.5	1.66
C0360-029-0620-X					0.620	15.75	0.371	9.42	0.167	4.24			8.5	1.49
C0360-029-0690-X					0.690	17.53	0.408	10.35	0.177	4.50			7.5	1.31
C0360-029-0750-X					0.750	19.05	0.440	11.18	0.186	4.72			6.8	1.20
C0360-029-0810-X					0.810	20.57	0.476	12.08	0.194	4.93			6.3	1.11
C0360-029-0880-X					0.880	22.35	0.512	13.00	0.204	5.18			5.8	1.01
C0360-029-0940-X			0.029	0.74	0.940	23.88	0.549	13.94	0.213	5.41	2.12	9.43	5.4	0.95
C0360-029-1000-X					1.000	25.40	0.583	14.82	0.221	5.61			5.1	0.89
C0360-029-1120-X					1.120	28.45	0.649	16.49	0.238	6.05			4.5	0.79
C0360-029-1250-X					1.250	31.75	0.721	18.30	0.257	6.53			4.0	0.70
C0360-029-1380-X					1.380	35.05	0.789	20.04	0.275	6.99			3.6	0.63
C0360-029-1500-X					1.500	38.10	0.865	21.96	0.292	7.42			3.3	0.58
C0360-029-1750-X					1.750	44.45	1.002	25.46	0.328	8.33			2.8	0.50
C0360-029-2000-X					2.000	50.80	1.124	28.54	0.364	9.25			2.4	0.42
C0360-032-0380-X					0.380	9.65	0.243	6.17	0.151	3.84			20.7	3.62
C0360-032-0440-X					0.440	11.18	0.277	7.02	0.162	4.11			17.3	3.03
C0360-032-0500-X					0.500	12.70	0.310	7.88	0.159	4.04			14.9	2.61
C0360-032-0560-X					0.560	14.22	0.351	8.93	0.167	4.24			13.6	2.38
C0360-032-0620-X					0.620	15.75	0.392	9.95	0.175	4.45			12.4	2.17
C0360-032-0690-X					0.690	17.53	0.424	10.78	0.191	4.85			10.7	1.87
C0360-032-0750-X					0.750	19.05	0.464	11.79	0.199	5.05			9.9	1.74
C0360-032-0810-X					0.810	20.57	0.506	12.86	0.207	5.26			9.3	1.63
C0360-032-0880-X					0.880	22.35	0.537	13.63	0.224	5.69			8.3	1.44
C0360-032-0940-X	0.360	9.14	0.032	0.81	0.940	23.88	0.578	14.69	0.231	5.87	2.83	12.59	7.8	1.37
C0360-032-1000-X					1.000	25.40	0.600	15.24	0.247	6.27			7.1	1.24
C0360-032-1120-X					1.120	28.45	0.667	16.93	0.270	6.86			6.3	1.09
C0360-032-1250-X					1.250	31.75	0.735	18.66	0.303	7.70			5.5	0.96
C0360-032-1380-X					1.380	35.05	0.813	20.66	0.317	8.05			5.0	0.88
C0360-032-1500-X					1.500	38.10	0.870	22.11	0.344	8.74			4.5	0.79
C0360-032-1750-X					1.750	44.45	1.011	25.68	0.391	9.93			3.8	0.67
C0360-032-2000-X					2.000	50.80	1.150	29.21	0.434	11.02			3.3	0.58
C0360-032-2250-X					2.250	57.15	1.355	34.42	0.464	11.79			3.2	0.56
C0360-032-2500-X					2.500	63.50	1.500	38.10	0.498	12.65			2.8	0.50
C0360-035-0440-X					0.440	11.18	0.284	7.21	0.182	4.62			23.7	4.14
C0360-035-0500-X					0.500	12.70	0.318	8.09	0.195	4.95			20.3	3.56
C0360-035-0560-X					0.560	14.22	0.353	8.97	0.208	5.28			17.8	3.12
C0360-035-0620-X					0.620	15.75	0.388	9.86	0.220	5.59			15.9	2.79
C0360-035-0690-X					0.690	17.53	0.428	10.87	0.235	5.97			14.1	2.47
C0360-035-0750-X					0.750	19.05	0.462	11.74	0.247	6.27			12.8	2.25
C0360-035-0810-X					0.810	20.57	0.498	12.65	0.260	6.60			11.8	2.07
C0360-035-0880-X					0.880	22.35	0.539	13.70	0.275	6.99			10.8	1.90
C0360-035-0940-X			0.035	0.89	0.940	23.88	0.574	14.58	0.287	7.29	3.69	16.41	10.1	1.77
C0360-035-1000-X					1.000	25.40	0.608	15.44	0.300	7.62			9.4	1.65
C0360-035-1120-X					1.120	28.45	0.677	17.20	0.325	8.26			8.3	1.46
C0360-035-1250-X					1.250	31.75	0.752	19.11	0.352	8.94			7.4	1.30
C0360-035-1380-X					1.380	35.05	0.826	20.99	0.379	9.63			6.7	1.17
C0360-035-1500-X					1.500	38.10	0.893	22.69	0.404	10.26			6.1	1.06
C0360-035-1750-X					1.750	44.45	1.047	26.59	0.457	11.61			5.3	0.92
C0360-035-2000-X					2.000	50.80	1.180	29.97	0.509	12.93			4.5	0.79
C0360-035-2250-X					2.250	57.15	1.327	33.71	0.562	14.27			4.0	0.70
C0360-035-2500-X					2.500	63.50	1.470	37.34	0.614	15.60			3.6	0.63
C0360-038-0440-X					0.440	11.18	0.289	7.34	0.190	4.83			31.2	5.45
C0360-038-0500-X					0.500	12.70	0.335	8.50	0.199	5.05			28.4	4.98
C0360-038-0560-X					0.560	14.22	0.364	9.25	0.218	5.54			24.0	4.20
C0360-038-0620-X					0.620	15.75	0.393	9.99	0.237	6.02			20.7	3.63
C0360-038-0690-X			0.038	0.97	0.690	17.53	0.435	11.04	0.256	6.50	4.70	20.91	18.4	3.22
C0360-038-0750-X					0.750	19.05	0.479	12.16	0.266	6.76			17.3	3.03
C0360-038-0810-X					0.810	20.57	0.508	12.91	0.285	7.24			15.6	2.73
C0360-038-0880-X					0.880	22.35	0.548	13.92	0.304	7.72			14.2	2.48
C0360-038-0940-X					0.940	23.88	0.578	14.69	0.323	8.20			13.0	2.27



TO ORDER: WWW.ASRAYMOND.COM OR SEE PHONE & FAX NUMBERS ON BACK COVER

SPEC

316 STAINLESS STEEL

Catalog Number	Outside Diameter (OD)		Wire Diameter (d)		Free Length (L) Approx.		Load Length (L1)		Solid Height (Sh) Approx.		Load (P) at L1		Spring Rate (R)	
	in	mm	in	mm	in	mm	in	mm	in	mm	lb	N	lb/in	N/mm
C0360-038-1000-X					1.000	25.40	0.624	15.85	0.332	8.43			12.5	2.19
C0360-038-1120-X					1.120	28.45	0.683	17.34	0.370	9.40			10.8	1.88
C0360-038-1250-X					1.250	31.75	0.768	19.50	0.399	10.13			9.8	1.71
C0360-038-1380-X					1.380	35.05	0.837	21.27	0.437	11.10			8.7	1.52
C0360-038-1500-X			0.038	0.97	1.500	38.10	0.912	23.17	0.465	11.81	4.70	20.91	8.0	1.40
C0360-038-1750-X					1.750	44.45	1.070	27.18	0.526	13.36			6.9	1.21
C0360-038-2000-X					2.000	50.80	1.216	30.90	0.587	14.91			6.0	1.05
C0360-038-2250-X					2.250	57.15	1.368	34.76	0.649	16.48			5.3	0.93
C0360-038-2500-X					2.500	63.50	1.510	38.36	0.711	18.06			4.8	0.83
C0360-040-0440-X					0.440	11.18	0.297	7.55	0.218	5.54			38.3	6.71
C0360-040-0500-X					0.500	12.70	0.334	8.47	0.234	5.94			32.8	5.75
C0360-040-0560-X					0.560	14.22	0.370	9.39	0.250	6.35			28.7	5.03
C0360-040-0620-X					0.620	15.75	0.406	10.32	0.267	6.78			25.6	4.48
C0360-040-0690-X					0.690	17.53	0.448	11.38	0.286	7.26			22.6	3.95
C0360-040-0750-X					0.750	19.05	0.484	12.30	0.302	7.67			20.6	3.60
C0360-040-0810-X					0.810	20.57	0.521	13.23	0.318	8.08			18.9	3.31
C0360-040-0880-X					0.880	22.35	0.563	14.30	0.337	8.56			17.2	3.02
C0360-040-0940-X			0.040	1.02	0.940	23.88	0.598	15.20	0.353	8.97	5.46	24.29	16.0	2.80
C0360-040-1000-X					1.000	25.40	0.636	16.14	0.370	9.40			15.0	2.63
C0360-040-1120-X					1.120	28.45	0.707	17.97	0.402	10.21			13.2	2.32
C0360-040-1250-X					1.250	31.75	0.785	19.93	0.438	11.13			11.8	2.06
C0360-040-1380-X					1.380	35.05	0.863	21.93	0.473	12.01			10.6	1.85
C0360-040-1500-X					1.500	38.10	0.939	23.86	0.505	12.83			9.8	1.71
C0360-040-1750-X					1.750	44.45	1.087	27.62	0.573	14.55			8.3	1.44
C0360-040-2000-X					2.000	50.80	1.237	31.43	0.641	16.28			7.2	1.25
C0360-040-2250-X					2.250	57.15	1.387	35.23	0.709	18.01			6.3	1.11
C0360-040-2500-X					2.500	63.50	1.535	39.00	0.777	19.74			5.7	0.99
C0360-042-0440-X					0.440	11.18	0.312	7.94	0.209	5.31			48.4	8.48
C0360-042-0500-X					0.500	12.70	0.347	8.80	0.231	5.87			40.2	7.05
C0360-042-0560-X					0.560	14.22	0.381	9.67	0.252	6.40			34.4	6.02
C0360-042-0620-X					0.620	15.75	0.428	10.87	0.262	6.65			32.2	5.63
C0360-042-0690-X					0.690	17.53	0.472	11.99	0.284	7.21			28.3	4.96
C0360-042-0750-X					0.750	19.05	0.510	12.96	0.301	7.65			25.7	4.51
C0360-042-0810-X					0.810	20.57	0.541	13.73	0.326	8.28			22.9	4.01
C0360-042-0880-X					0.880	22.35	0.586	14.89	0.346	8.79			21.0	3.68
C0360-042-0940-X			0.042	1.07	0.940	23.88	0.619	15.73	0.368	9.35	6.17	27.44	19.2	3.37
C0360-042-1000-X	0.360	9.14			1.000	25.40	0.655	16.65	0.388	9.86			17.9	3.14
C0360-042-1120-X					1.120	28.45	0.724	18.39	0.430	10.92			15.6	2.73
C0360-042-1250-X					1.250	31.75	0.814	20.68	0.463	11.76			14.2	2.48
C0360-042-1380-X					1.380	35.05	0.905	22.99	0.495	12.57			13.0	2.27
C0360-042-1500-X					1.500	38.10	0.989	25.12	0.525	13.34			12.1	2.12
C0360-042-1750-X					1.750	44.45	1.122	28.50	0.621	15.77			9.8	1.72
C0360-042-2000-X					2.000	50.80	1.281	32.53	0.695	17.65			8.6	1.50
C0360-042-2250-X					2.250	57.15	1.436	36.47	0.770	19.56			7.6	1.33
C0360-042-2500-X					2.500	63.50	1.585	40.27	0.844	21.44			6.8	1.18
C0360-045-0440-X					0.440	11.18	0.325	8.26	0.224	5.69			65.8	11.52
C0360-045-0500-X					0.500	12.70	0.362	9.20	0.247	6.27			54.7	9.58
C0360-045-0560-X					0.560	14.22	0.399	10.13	0.270	6.86			46.8	8.20
C0360-045-0620-X					0.620	15.75	0.435	11.06	0.292	7.42			40.9	7.16
C0360-045-0690-X					0.690	17.53	0.483	12.27	0.314	7.98			36.5	6.39
C0360-045-0750-X					0.750	19.05	0.520	13.21	0.337	8.56			32.8	5.75
C0360-045-0810-X					0.810	20.57	0.557	14.14	0.359	9.12			29.8	5.22
C0360-045-0880-X					0.880	22.35	0.604	15.33	0.382	9.70			27.3	4.78
C0360-045-0940-X					0.940	23.88	0.641	16.28	0.404	10.26			25.2	4.42
C0360-045-1000-X			0.045	1.14	1.000	25.40	0.677	17.21	0.427	10.85	7.55	33.58	23.4	4.10
C0360-045-1120-X					1.120	28.45	0.751	19.09	0.472	11.99			20.5	3.59
C0360-045-1250-X					1.250	31.75	0.836	21.24	0.516	13.11			18.2	3.19
C0360-045-1380-X					1.380	35.05	0.920	23.36	0.562	14.27			16.4	2.87
C0360-045-1500-X					1.500	38.10	0.994	25.24	0.607	15.42			14.9	2.61
C0360-045-1750-X					1.750	44.45	1.154	29.30	0.694	17.63			12.7	2.22
C0360-045-2000-X					2.000	50.80	1.313	33.36	0.778	19.76			11.0	1.93
C0360-045-2250-X					2.250	57.15	1.475	37.47	0.862	21.89			9.8	1.71
C0360-045-2500-X					2.500	63.50	1.637	41.57	0.946	24.03			8.8	1.53
C0360-045-2750-X					2.750	69.85	1.834	46.59	0.990	25.15			8.3	1.44
C0360-047-0440-X					0.440	11.18	0.329	8.35	0.257	6.53			77.1	13.51
C0360-047-0500-X					0.500	12.70	0.370	9.39	0.277	7.04			65.7	11.51
C0360-047-0560-X					0.560	14.22	0.410	10.42	0.297	7.54			57.2	10.02
C0360-047-0620-X					0.620	15.75	0.451	11.45	0.318	8.08			50.7	8.88
C0360-047-0690-X			0.047	1.19	0.690	17.53	0.498	12.66	0.341	8.66	8.57	38.12	44.7	7.83
C0360-047-0750-X					0.750	19.05	0.539	13.69	0.361	9.17			40.7	7.12
C0360-047-0810-X					0.810	20.57	0.580	14.73	0.381	9.68			37.2	6.52
C0360-047-0880-X					0.880	22.35	0.627	15.93	0.405	10.29			33.9	5.94
C0360-047-0940-X					0.940	23.88	0.668	16.98	0.425	10.80			31.6	5.53



316 STAINLESS STEEL

Catalog Number	Outside Diameter (OD)		Wire Diameter (d)		Free Length (L) Approx.		Load Length (L1)		Solid Height (Sh) Approx.		Load (P) at L1		Spring Rate (R)	
	in	mm	in	mm	in	mm	in	mm	in	mm	lb	N	lb/in	N/mm
C0360-047-1000-X					1.000	25.40	0.708	17.99	0.445	11.30			29.4	5.15
C0360-047-1120-X					1.120	28.45	0.790	20.07	0.485	12.32			26.0	4.55
C0360-047-1250-X					1.250	31.75	0.878	22.31	0.529	13.44			23.1	4.04
C0360-047-1380-X					1.380	35.05	0.967	24.55	0.573	14.55			20.7	3.63
C0360-047-1500-X					1.500	38.10	1.049	26.63	0.613	15.57			19.0	3.33
C0360-047-1750-X					1.750	44.45	1.217	30.90	0.697	17.70			16.1	2.82
C0360-047-2000-X			0.047	1.19	2.000	50.80	1.387	35.24	0.781	19.84	8.57	38.12	14.0	2.45
C0360-047-2250-X					2.250	57.15	1.559	39.60	0.865	21.97			12.4	2.17
C0360-047-2500-X					2.500	63.50	1.726	43.84	0.949	24.10			11.1	1.94
C0360-047-2750-X					2.750	69.85	1.899	48.24	1.033	26.24			10.1	1.77
C0360-047-3000-X					3.000	76.20	2.064	52.43	1.117	28.37			9.2	1.60
C0360-047-3250-X					3.250	82.55	2.231	56.66	1.201	30.51			8.4	1.47
C0360-047-3500-X					3.500	88.90	2.405	61.09	1.284	32.61			7.8	1.37
C0360-049-0440-X					0.440	11.18	0.335	8.52	0.271	6.88			90.6	15.86
C0360-049-0500-X					0.500	12.70	0.377	9.58	0.293	7.44			77.1	13.49
C0360-049-0560-X					0.560	14.22	0.419	10.64	0.315	8.00			67.1	11.74
C0360-049-0620-X					0.620	15.75	0.460	11.69	0.336	8.53			59.3	10.39
C0360-049-0690-X					0.690	17.53	0.509	12.93	0.362	9.19			52.3	9.16
C0360-049-0750-X					0.750	19.05	0.551	13.98	0.384	9.75			47.5	8.31
C0360-049-0810-X					0.810	20.57	0.592	15.04	0.405	10.29			43.5	7.61
C0360-049-0880-X					0.880	22.35	0.641	16.29	0.431	10.95			39.7	6.94
C0360-049-0940-X					0.940	23.88	0.683	17.34	0.453	11.51			36.8	6.45
C0360-049-1000-X					1.000	25.40	0.724	18.39	0.474	12.04			34.3	6.01
C0360-049-1120-X			0.049	1.24	1.120	28.45	0.808	20.51	0.518	13.16	9.47	42.12	30.3	5.31
C0360-049-1250-X					1.250	31.75	0.898	22.81	0.565	14.35			26.9	4.71
C0360-049-1380-X					1.380	35.05	0.988	25.09	0.612	15.54			24.2	4.23
C0360-049-1500-X					1.500	38.10	1.071	27.20	0.656	16.66			22.1	3.86
C0360-049-1750-X					1.750	44.45	1.245	31.62	0.747	18.97			18.7	3.28
C0360-049-2000-X					2.000	50.80	1.420	36.07	0.837	21.26			16.3	2.86
C0360-049-2250-X					2.250	57.15	1.593	40.46	0.928	23.57			14.4	2.52
C0360-049-2500-X					2.500	63.50	1.766	44.87	1.019	25.88			12.9	2.26
C0360-049-2750-X					2.750	69.85	1.938	49.22	1.110	28.19			11.7	2.04
C0360-049-3000-X					3.000	76.20	2.112	53.64	1.200	30.48			10.7	1.87
C0360-049-3250-X					3.250	82.55	2.286	58.08	1.291	32.79			9.8	1.72
C0360-049-3500-X					3.500	88.90	2.457	62.41	1.382	35.10			9.1	1.59
C0360-051-0440-X	0.360	9.14			0.440	11.18	0.339	8.62	0.286	7.26			105.6	18.50
C0360-051-0500-X					0.500	12.70	0.381	9.69	0.309	7.85			89.7	15.71
C0360-051-0560-X					0.560	14.22	0.424	10.76	0.333	8.46			78.0	13.65
C0360-051-0620-X					0.620	15.75	0.466	11.83	0.356	9.04			68.9	12.06
C0360-051-0690-X					0.690	17.53	0.515	13.08	0.384	9.75			60.7	10.63
C0360-051-0750-X					0.750	19.05	0.557	14.14	0.407	10.34			55.1	9.64
C0360-051-0810-X					0.810	20.57	0.599	15.21	0.431	10.95			50.4	8.83
C0360-051-0880-X					0.880	22.35	0.648	16.46	0.458	11.63			45.9	8.04
C0360-051-0940-X					0.940	23.88	0.690	17.53	0.482	12.24			42.6	7.45
C0360-051-1000-X					1.000	25.40	0.732	18.60	0.505	12.83			39.7	6.96
C0360-051-1120-X			0.051	1.30	1.120	28.45	0.817	20.74	0.552	14.02	10.64	47.33	35.1	6.14
C0360-051-1250-X					1.250	31.75	0.908	23.05	0.603	15.32			31.1	5.44
C0360-051-1380-X					1.380	35.05	0.999	25.37	0.654	16.61			27.9	4.89
C0360-051-1500-X					1.500	38.10	1.084	27.53	0.701	17.81			25.6	4.48
C0360-051-1750-X					1.750	44.45	1.259	31.97	0.800	20.32			21.7	3.79
C0360-051-2000-X					2.000	50.80	1.435	36.45	0.898	22.81			18.8	3.30
C0360-051-2250-X					2.250	57.15	1.608	40.85	0.996	25.30			16.6	2.90
C0360-051-2500-X					2.500	63.50	1.786	45.38	1.094	27.79			14.9	2.61
C0360-051-2750-X					2.750	69.85	1.962	49.82	1.192	30.28			13.5	2.36
C0360-051-3000-X					3.000	76.20	2.137	54.28	1.290	32.77			12.3	2.16
C0360-051-3250-X					3.250	82.55	2.311	58.70	1.388	35.26			11.3	1.98
C0360-051-3500-X					3.500	88.90	2.486	63.15	1.486	37.74			10.5	1.84
C0360-055-0440-X					0.440	11.18	0.351	8.93	0.310	7.87			146.3	25.61
C0360-055-0500-X					0.500	12.70	0.395	10.04	0.337	8.56			123.8	21.68
C0360-055-0560-X					0.560	14.22	0.439	11.16	0.363	9.22			107.3	18.79
C0360-055-0620-X					0.620	15.75	0.483	12.27	0.389	9.88			94.6	16.57
C0360-055-0690-X					0.690	17.53	0.534	13.57	0.420	10.67			83.2	14.57
C0360-055-0750-X					0.750	19.05	0.578	14.69	0.447	11.35			75.5	13.22
C0360-055-0810-X					0.810	20.57	0.622	15.81	0.473	12.01			69.0	12.08
C0360-055-0880-X			0.055	1.40	0.880	22.35	0.674	17.11	0.504	12.80	12.95	57.60	62.7	10.98
C0360-055-0940-X					0.940	23.88	0.717	18.22	0.530	13.46			58.1	10.18
C0360-055-1000-X					1.000	25.40	0.761	19.34	0.557	14.15			54.2	9.50
C0360-055-1120-X					1.120	28.45	0.849	21.57	0.609	15.47			47.8	8.37
C0360-055-1250-X					1.250	31.75	0.944	23.98	0.667	16.94			42.3	7.41
C0360-055-1380-X					1.380	35.05	1.039	26.39	0.724	18.39			38.0	6.65
C0360-055-1500-X					1.500	38.10	1.127	28.63	0.777	19.74			34.7	6.08
C0360-055-1750-X					1.750	44.45	1.310	33.27	0.887	22.53			29.4	5.15
C0360-055-2000-X					2.000	50.80	1.494	37.94	0.997	25.32			25.6	4.48



TO ORDER: WWW.ASRAYMOND.COM OR SEE PHONE & FAX NUMBERS ON BACK COVER

SPEC

316 STAINLESS STEEL

Catalog Number	Outside Diameter (OD)		Wire Diameter (d)		Free Length (L) Approx.		Load Length (L1)		Solid Height (Sh) Approx.		Load (P) at L1		Spring Rate (R)	
	in	mm	in	mm	in	mm	in	mm	in	mm	lb	N	lb/in	N/mm
C0360-055-2250-X					2.250	57.15	1.676	42.58	1.107	28.12			22.6	3.95
C0360-055-2500-X					2.500	63.50	1.858	47.19	1.217	30.91			20.2	3.53
C0360-055-2750-X			0.055	1.40	2.750	69.85	2.043	51.90	1.327	33.71	12.95	57.60	18.3	3.21
C0360-055-3000-X					3.000	76.20	2.227	56.56	1.437	36.50			16.7	2.93
C0360-055-3250-X					3.250	82.55	2.410	61.21	1.547	39.29			15.4	2.70
C0360-055-3500-X					3.500	88.90	2.591	65.81	1.657	42.09			14.2	2.49
C0360-059-0440-X					0.440	11.18	0.360	9.14	0.321	8.15			198.3	34.72
C0360-059-0500-X					0.500	12.70	0.405	10.29	0.356	9.04			167.1	29.26
C0360-059-0560-X					0.560	14.22	0.450	11.44	0.388	9.86			144.4	25.29
C0360-059-0620-X					0.620	15.75	0.495	12.58	0.421	10.69			127.2	22.28
C0360-059-0690-X					0.690	17.53	0.548	13.92	0.458	11.63			111.6	19.55
C0360-059-0750-X					0.750	19.05	0.593	15.06	0.488	12.40			101.0	17.69
C0360-059-0810-X					0.810	20.57	0.638	16.21	0.517	13.13			92.3	16.16
C0360-059-0880-X	0.360	9.14			0.880	22.35	0.691	17.55	0.552	14.02			83.8	14.67
C0360-059-0940-X					0.940	23.88	0.736	18.69	0.581	14.76			77.6	13.60
C0360-059-1000-X					1.000	25.40	0.781	19.84	0.611	15.52			72.4	12.68
C0360-059-1120-X			0.059	1.50	1.120	28.45	0.871	22.13	0.670	17.02	15.85	70.50	63.7	11.16
C0360-059-1250-X					1.250	31.75	0.969	24.61	0.734	18.64			56.4	9.87
C0360-059-1380-X					1.380	35.05	1.066	27.09	0.797	20.24			50.6	8.85
C0360-059-1500-X					1.500	38.10	1.157	29.39	0.856	21.74			46.2	8.10
C0360-059-1750-X					1.750	44.45	1.345	34.16	0.979	24.87			39.2	6.86
C0360-059-2000-X					2.000	50.80	1.532	38.92	1.102	27.99			33.9	5.94
C0360-059-2250-X					2.250	57.15	1.721	43.72	1.225	31.12			30.0	5.25
C0360-059-2500-X					2.500	63.50	1.909	48.49	1.348	34.24			26.8	4.70
C0360-059-2750-X					2.750	69.85	2.096	53.24	1.471	37.36			24.2	4.24
C0360-059-3000-X					3.000	76.20	2.284	58.03	1.594	40.49			22.2	3.88
C0360-059-3250-X					3.250	82.55	2.473	62.82	1.717	43.61			20.4	3.57
C0360-059-3500-X					3.500	88.90	2.662	67.60	1.840	46.74			18.9	3.31
C0390-043-0500-X					0.500	12.70	0.337	8.57	0.241	6.12			37.7	6.61
C0390-043-0560-X					0.560	14.22	0.374	9.50	0.257	6.53			33.0	5.78
C0390-043-0620-X					0.620	15.75	0.410	10.42	0.273	6.93			29.2	5.12
C0390-043-0690-X					0.690	17.53	0.452	11.49	0.292	7.42			25.8	4.52
C0390-043-0750-X					0.750	19.05	0.489	12.42	0.308	7.82			23.5	4.11
C0390-043-0810-X					0.810	20.57	0.526	13.35	0.324	8.23			21.6	3.78
C0390-043-0880-X					0.880	22.35	0.568	14.42	0.343	8.71			19.7	3.44
C0390-043-0940-X			0.043	1.09	0.940	23.88	0.607	15.41	0.359	9.12	6.14	27.31	18.4	3.22
C0390-043-1000-X					1.000	25.40	0.641	16.27	0.376	9.55			17.1	2.99
C0390-043-1120-X					1.120	28.45	0.713	18.11	0.408	10.36			15.1	2.64
C0390-043-1250-X					1.250	31.75	0.792	20.13	0.443	11.25			13.4	2.35
C0390-043-1380-X					1.380	35.05	0.872	22.15	0.478	12.14			12.1	2.12
C0390-043-1500-X					1.500	38.10	0.946	24.03	0.510	12.95			11.1	1.94
C0390-043-1750-X					1.750	44.45	1.098	27.89	0.578	14.68			9.4	1.65
C0390-043-2000-X	0.390	9.91			2.000	50.80	1.248	31.71	0.645	16.38			8.2	1.43
C0390-047-0500-X					0.500	12.70	0.349	8.86	0.270	6.86			52.7	9.23
C0390-047-0560-X					0.560	14.22	0.387	9.82	0.289	7.34			46.0	8.05
C0390-047-0620-X					0.620	15.75	0.424	10.78	0.308	7.82			40.7	7.13
C0390-047-0690-X					0.690	17.53	0.468	11.89	0.330	8.38			35.9	6.29
C0390-047-0750-X					0.750	19.05	0.506	12.86	0.350	8.89			32.7	5.72
C0390-047-0810-X					0.810	20.57	0.544	13.81	0.369	9.37			29.9	5.24
C0390-047-0880-X					0.880	22.35	0.588	14.93	0.391	9.93			27.2	4.77
C0390-047-0940-X			0.047	1.19	0.940	23.88	0.626	15.89	0.410	10.41	7.96	35.41	25.3	4.43
C0390-047-1000-X					1.000	25.40	0.663	16.85	0.429	10.90			23.7	4.14
C0390-047-1120-X					1.120	28.45	0.739	18.77	0.467	11.86			20.9	3.66
C0390-047-1250-X					1.250	31.75	0.819	20.81	0.508	12.90			18.5	3.24
C0390-047-1380-X					1.380	35.05	0.902	22.91	0.550	13.97			16.7	2.92
C0390-047-1500-X					1.500	38.10	0.978	24.83	0.588	14.94			15.2	2.67
C0390-047-1750-X					1.750	44.45	1.133	28.78	0.667	16.94			12.9	2.26
C0390-047-2000-X					2.000	50.80	1.292	32.81	0.747	18.97			11.3	1.97
C0420-035-0500-X					0.500	12.70	0.306	7.77	0.172	4.37			16.4	2.87
C0420-035-0620-X					0.620	15.75	0.372	9.44	0.191	4.85			12.8	2.25
C0420-035-0750-X					0.750	19.05	0.444	11.28	0.211	5.36			10.4	1.82
C0420-035-0880-X			0.035	0.89	0.880	22.35	0.516	13.10	0.231	5.87	3.19	14.19	8.8	1.53
C0420-035-1000-X					1.000	25.40	0.580	14.73	0.250	6.35			7.6	1.33
C0420-035-1250-X					1.250	31.75	0.719	18.26	0.289	7.34			6.0	1.05
C0420-035-1500-X					1.500	38.10	0.852	21.64	0.328	8.33			4.9	0.86
C0420-035-1750-X	0.420	10.67			1.750	44.45	1.000	25.40	0.367	9.32			4.3	0.74
C0420-038-0500-X					0.500	12.70	0.278	7.07	0.172	4.37			18.3	3.21
C0420-038-0560-X					0.560	14.22	0.316	8.03	0.186	4.72			16.7	2.92
C0420-038-0625-X					0.620	15.75	0.349	8.87	0.194	4.93			15.0	2.63
C0420-038-0750-X			0.038	0.97	0.750	19.05	0.414	10.51	0.223	5.66	4.06	18.06	12.1	2.12
C0420-038-0880-X					0.880	22.35	0.490	12.44	0.246	6.25			10.4	1.82
C0420-038-1000-X					1.000	25.40	0.557	14.14	0.269	6.83			9.2	1.60
C0420-038-1250-X					1.250	31.75	0.676	17.18	0.326	8.28			7.1	1.24



316 STAINLESS STEEL

Catalog Number	Outside Diameter (OD)		Wire Diameter (d)		Free Length (L) Approx.		Load Length (L1)		Solid Height (Sh) Approx.		Load (P) at L1		Spring Rate (R)							
	in	mm	in	mm	in	mm	in	mm	in	mm	lb	N	lb/in	N/mm						
C0420-038-1500-X			0.038	0.97	1.500	38.10	0.823	20.90	0.372	9.45	4.06	18.06	6.0	1.05						
C0420-038-1750-X					1.750	44.45	1.011	25.68	0.423	10.74			5.5	0.96						
C0420-038-2000-X					2.000	50.80	1.201	30.50	0.456	11.58			5.1	0.89						
C0420-038-2250-X					2.250	57.15	1.347	34.21	0.494	12.55			4.5	0.79						
C0420-038-2500-X					2.500	63.50	1.484	37.70	0.532	13.51			4.0	0.70						
C0420-042-0500-X			0.042	1.07	0.500	12.70	0.311	7.91	0.190	4.83	5.34	23.75	28.3	4.96						
C0420-042-0560-X					0.560	14.22	0.353	8.97	0.201	5.11			25.8	4.52						
C0420-042-0625-X					0.620	15.75	0.391	9.93	0.213	5.41			23.3	4.08						
C0420-042-0750-X					0.750	19.05	0.459	11.65	0.248	6.30			18.3	3.21						
C0420-042-0880-X					0.880	22.35	0.533	13.55	0.280	7.11			15.4	2.70						
C0420-042-1000-X					1.000	25.40	0.599	15.22	0.310	7.87			13.3	2.33						
C0420-042-1250-X					1.250	31.75	0.757	19.22	0.363	9.22			10.8	1.90						
C0420-042-1500-X					1.500	38.10	0.889	22.59	0.429	10.90			8.8	1.53						
C0420-042-1750-X					1.750	44.45	1.061	26.94	0.501	12.73			7.8	1.36						
C0420-042-2000-X					2.000	50.80	1.209	30.70	0.558	14.17			6.8	1.18						
C0420-042-2250-X			2.250	57.15	1.417	36.00	0.592	15.04	6.4	1.12										
C0420-042-2500-X			2.500	63.50	1.571	39.90	0.630	16.00	5.8	1.01										
C0420-045-0500-X			0.045	1.14	0.500	12.70	0.313	7.95	0.214	5.44	6.54	29.09	35.0	6.13						
C0420-045-0625-X					0.620	15.75	0.389	9.88	0.244	6.20			28.3	4.96						
C0420-045-0750-X					0.750	19.05	0.459	11.66	0.284	7.21			22.5	3.94						
C0420-045-0880-X					0.880	22.35	0.539	13.68	0.318	8.08			19.2	3.36						
C0420-045-1000-X					1.000	25.40	0.607	15.43	0.352	8.94			16.7	2.92						
C0420-045-1250-X					1.250	31.75	0.759	19.28	0.418	10.62			13.3	2.33						
C0420-045-1500-X					1.500	38.10	0.896	22.76	0.493	12.52			10.8	1.90						
C0420-045-1750-X					1.750	44.45	1.084	27.55	0.563	14.30			9.8	1.72						
C0420-045-2000-X					2.000	50.80	1.230	31.24	0.627	15.93			8.5	1.49						
C0420-045-2250-X					2.250	57.15	1.377	34.99	0.691	17.55			7.5	1.31						
C0420-045-2500-X			2.500	63.50	1.530	38.87	0.756	19.20	6.8	1.18										
C0420-048-0500-X			0.048	1.22	0.500	12.70	0.347	8.81	0.261	6.63	7.73	34.38	50.5	8.84						
C0420-048-0750-X					0.750	19.05	0.502	12.74	0.334	8.48			31.2	5.45						
C0420-048-1000-X					1.000	25.40	0.657	16.70	0.407	10.34			22.6	3.95						
C0420-048-1250-X					1.250	31.75	0.812	20.62	0.480	12.19			17.7	3.09						
C0420-048-1500-X					1.500	38.10	0.966	24.55	0.552	14.02			14.5	2.54						
C0420-048-1750-X					1.750	44.45	1.123	28.51	0.625	15.88			12.3	2.16						
C0420-048-2000-X					2.000	50.80	1.280	32.52	0.698	17.73			10.8	1.88						
C0420-051-0500-X	0.420	10.67			0.051	1.30	0.500	12.70	0.355	9.01			0.282	7.16	9.24	41.10	63.6	11.14		
C0420-051-0620-X									0.620	15.75			0.431	10.95			0.321	8.15	48.9	8.56
C0420-051-0750-X									0.750	19.05			0.514	13.04			0.363	9.22	39.1	6.84
C0420-051-0880-X							0.880	22.35	0.596	15.15	0.406	10.31	32.6	5.70						
C0420-051-1000-X							1.000	25.40	0.673	17.09	0.445	11.30	28.2	4.95						
C0420-051-1250-X							1.250	31.75	0.832	21.12	0.526	13.36	22.1	3.86						
C0420-051-1500-X							1.500	38.10	0.989	25.12	0.607	15.42	18.1	3.17						
C0420-051-1750-X							1.750	44.45	1.147	29.14	0.688	17.48	15.3	2.68						
C0420-051-2000-X							2.000	50.80	1.307	33.19	0.769	19.53	13.3	2.33						
C0420-051-2250-X							2.250	57.15	1.469	37.31	0.850	21.59	11.8	2.07						
C0420-051-2500-X			2.500	63.50	1.627	41.32	0.932	23.67	10.6	1.85										
C0420-055-0500-X			0.055	1.40	0.500	12.70	0.358	9.09	0.273	6.93	11.26	50.08	79.1	13.86						
C0420-055-0625-X					0.620	15.75	0.440	11.17	0.316	8.03			62.5	10.94						
C0420-055-0750-X					0.750	19.05	0.532	13.51	0.360	9.14			51.7	9.04						
C0420-055-0880-X					0.880	22.35	0.620	15.75	0.408	10.36			43.3	7.59						
C0420-055-1000-X					1.000	25.40	0.700	17.77	0.454	11.53			37.5	6.57						
C0420-055-1250-X					1.250	31.75	0.864	21.94	0.553	14.05			29.2	5.11						
C0420-055-1500-X					1.500	38.10	1.034	26.26	0.645	16.38			24.2	4.23						
C0420-055-1750-X					1.750	44.45	1.198	30.43	0.772	19.61			20.4	3.57						
C0420-055-2000-X					2.000	50.80	1.365	34.68	0.865	21.97			17.7	3.11						
C0420-055-2250-X					2.250	57.15	1.531	38.88	0.957	24.31			15.7	2.74						
C0420-055-2500-X			2.500	63.50	1.695	43.06	1.050	26.67	14.0	2.45										
C0420-059-0500-X			0.059	1.50	0.500	12.70	0.379	9.62	0.322	8.18	13.82	61.47	113.9	19.94						
C0420-059-0625-X					0.620	15.75	0.459	11.66	0.380	9.65			85.8	15.03						
C0420-059-0750-X					0.750	19.05	0.549	13.95	0.439	11.15			68.8	12.05						
C0420-059-0880-X					0.880	22.35	0.638	16.20	0.496	12.60			57.1	9.99						
C0420-059-1000-X					1.000	25.40	0.720	18.28	0.546	13.87			49.3	8.64						
C0420-059-1250-X					1.250	31.75	0.890	22.61	0.651	16.54			38.4	6.72						
C0420-059-1500-X					1.500	38.10	1.061	26.95	0.755	19.18			31.5	5.51						
C0420-059-1750-X					1.750	44.45	1.232	31.28	0.860	21.84			26.7	4.67						
C0420-059-2000-X					2.000	50.80	1.401	35.59	0.965	24.51			23.1	4.04						
C0420-059-2250-X					2.250	57.15	1.573	39.95	1.069	27.15			20.4	3.57						
C0420-059-2500-X			2.500	63.50	1.743	44.26	1.174	29.82	18.2	3.19										
C0420-063-0500-X			0.063	1.60	0.500	12.70	0.392	9.97	0.345	8.76	16.33	72.64	151.7	26.56						
C0420-063-0620-X					0.620	15.75	0.478	12.14	0.416	10.57			114.9	20.12						
C0420-063-0750-X					0.750	19.05	0.570	14.49	0.476	12.09			91.0	15.93						
C0420-063-0880-X					0.880	22.35	0.663	16.84	0.536	13.61			75.2	13.17						
C0420-063-1000-X					1.000	25.40	0.748	19.01	0.591	15.01			64.9	11.36						



TO ORDER: WWW.ASRAYMOND.COM OR SEE PHONE & FAX NUMBERS ON BACK COVER

SPEC



316 STAINLESS STEEL

Catalog Number	Outside Diameter (OD)		Wire Diameter (d)		Free Length (L) Approx.		Load Length (L1)		Solid Height (Sh) Approx.		Load (P) at L1		Spring Rate (R)	
	in	mm	in	mm	in	mm	in	mm	in	mm	lb	N	lb/in	N/mm
C0420-063-1250-X					1.250	31.75	0.926	23.53	0.706	17.93			50.5	8.84
C0420-063-1500-X					1.500	38.10	1.105	28.06	0.821	20.85			41.3	7.24
C0420-063-1750-X			0.063	1.60	1.750	44.45	1.282	32.56	0.937	23.80	16.33	72.64	34.9	6.11
C0420-063-2000-X					2.000	50.80	1.460	37.08	1.052	26.72			30.2	5.30
C0420-063-2250-X					2.250	57.15	1.639	41.64	1.167	29.64			26.7	4.68
C0420-063-2500-X					2.500	63.50	1.817	46.15	1.282	32.56			23.9	4.19
C0420-067-0750-X					0.750	19.05	0.588	14.93	0.507	12.88			120.2	21.05
C0420-067-1000-X					1.000	25.40	0.772	19.61	0.631	16.03			85.6	14.98
C0420-067-1250-X					1.250	31.75	0.956	24.29	0.755	19.18			66.4	11.63
C0420-067-1500-X			0.067	1.70	1.500	38.10	1.140	28.96	0.879	22.33	19.51	86.78	54.2	9.50
C0420-067-1750-X	0.420	10.67			1.750	44.45	1.324	33.63	1.003	25.48			45.8	8.02
C0420-067-2000-X					2.000	50.80	1.508	38.30	1.127	28.63			39.7	6.94
C0420-067-2250-X					2.250	57.15	1.692	42.98	1.251	31.78			35.0	6.13
C0420-067-2500-X					2.500	63.50	1.877	47.68	1.375	34.93			31.3	5.48
C0420-072-1000-X					1.000	25.40	0.798	20.27	0.690	17.53			116.0	20.30
C0420-072-1250-X					1.250	31.75	0.989	25.11	0.829	21.06			89.7	15.71
C0420-072-1500-X					1.500	38.10	1.180	29.97	0.967	24.56			73.2	12.82
C0420-072-1750-X			0.072	1.83	1.750	44.45	1.371	34.82	1.105	28.07	23.44	104.26	61.8	10.82
C0420-072-2000-X					2.000	50.80	1.562	39.67	1.244	31.60			53.5	9.37
C0420-072-2250-X					2.250	57.15	1.753	44.52	1.382	35.10			47.2	8.26
C0420-072-2500-X					2.500	63.50	1.944	49.38	1.521	38.63			42.2	7.38
C0455-039-0500-X					0.500	12.70	0.309	7.86	0.187	4.75			21.3	3.73
C0455-039-0620-X					0.620	15.75	0.375	9.52	0.207	5.26			16.6	2.90
C0455-039-0750-X					0.750	19.05	0.447	11.35	0.229	5.82			13.4	2.35
C0455-039-0880-X			0.039	0.99	0.880	22.35	0.519	13.17	0.251	6.38	4.06	18.07	11.3	1.97
C0455-039-1000-X					1.000	25.40	0.583	14.81	0.271	6.88			9.8	1.71
C0455-039-1250-X					1.250	31.75	0.720	18.28	0.312	7.92			7.7	1.34
C0455-039-1500-X					1.500	38.10	0.858	21.80	0.354	8.99			6.3	1.11
C0455-039-1750-X	0.455	11.56			1.750	44.45	1.000	25.39	0.396	10.06			5.4	0.95
C0455-046-0500-X					0.500	12.70	0.330	8.37	0.233	5.92			38.0	6.65
C0455-046-0620-X					0.620	15.75	0.400	10.16	0.261	6.63			29.4	5.15
C0455-046-0750-X					0.750	19.05	0.475	12.08	0.291	7.39			23.6	4.13
C0455-046-0880-X			0.046	1.17	0.880	22.35	0.551	13.99	0.321	8.15	6.47	28.79	19.7	3.44
C0455-046-1000-X					1.000	25.40	0.621	15.77	0.349	8.86			17.1	2.99
C0455-046-1250-X					1.250	31.75	0.767	19.49	0.407	10.34			13.4	2.35
C0455-046-1500-X					1.500	38.10	0.911	23.15	0.465	11.81			11.0	1.93
C0455-046-1750-X					1.750	44.45	1.056	26.83	0.523	13.28			9.3	1.63
C0480-035-0500-X					0.500	12.70	0.286	7.26	0.160	4.06			13.1	2.29
C0480-035-0620-X					0.620	15.75	0.344	8.74	0.175	4.45			10.2	1.78
C0480-035-0750-X					0.750	19.05	0.410	10.42	0.192	4.88			8.3	1.44
C0480-035-0880-X					0.880	22.35	0.475	12.06	0.208	5.28			6.9	1.21
C0480-035-1000-X					1.000	25.40	0.533	13.53	0.223	5.66			6.0	1.05
C0480-035-1250-X			0.035	0.89	1.250	31.75	0.660	16.76	0.255	6.48	2.80	18.07	4.8	0.83
C0480-035-1500-X					1.500	38.10	0.784	19.92	0.287	7.29			3.9	0.69
C0480-035-1750-X					1.750	44.45	0.909	23.09	0.319	8.10			3.3	0.58
C0480-035-2000-X					2.000	50.80	1.039	26.39	0.351	8.92			2.9	0.51
C0480-035-2500-X					2.500	63.50	1.299	32.99	0.414	10.52			2.3	0.41
C0480-035-3000-X					3.000	76.20	1.538	39.05	0.478	12.14			1.9	0.34
C0480-038-0500-X					0.500	12.70	0.285	7.25	0.144	3.66			16.7	2.92
C0480-038-0625-X					0.620	15.75	0.334	8.48	0.167	4.24			12.5	2.19
C0480-038-0750-X					0.750	19.05	0.407	10.33	0.185	4.70			10.4	1.82
C0480-038-0880-X					0.880	22.35	0.471	11.97	0.207	5.26			8.8	1.53
C0480-038-1000-X					1.000	25.40	0.548	13.93	0.220	5.59			7.9	1.39
C0480-038-1250-X					1.250	31.75	0.678	17.22	0.259	6.58			6.3	1.09
C0480-038-1500-X	0.480	12.19	0.038	0.97	1.500	38.10	0.785	19.93	0.305	7.75	3.57	15.90	5.0	0.88
C0480-038-1750-X					1.750	44.45	0.970	24.63	0.352	8.94			4.6	0.80
C0480-038-2000-X					2.000	50.80	1.106	28.09	0.388	9.86			4.0	0.70
C0480-038-2250-X					2.250	57.15	1.337	33.96	0.397	10.08			3.9	0.69
C0480-038-2500-X					2.500	63.50	1.478	37.55	0.429	10.90			3.5	0.61
C0480-038-2750-X					2.750	69.85	1.621	41.16	0.462	11.73			3.2	0.56
C0480-038-3000-X					3.000	76.20	1.774	45.06	0.494	12.55			2.9	0.51
C0480-042-0500-X					0.500	12.70	0.298	7.58	0.167	4.24			23.3	4.08
C0480-042-0625-X					0.620	15.75	0.351	8.92	0.194	4.93			17.5	3.06
C0480-042-0750-X					0.750	19.05	0.436	11.08	0.213	5.41			15.0	2.63
C0480-042-0880-X					0.880	22.35	0.504	12.79	0.239	6.07			12.5	2.19
C0480-042-1000-X					1.000	25.40	0.566	14.37	0.263	6.68			10.8	1.90
C0480-042-1250-X			0.042	1.07	1.250	31.75	0.685	17.41	0.317	8.05	4.70	20.92	8.3	1.46
C0480-042-1500-X					1.500	38.10	0.836	21.16	0.358	9.09			7.1	1.24
C0480-042-1750-X					1.750	44.45	1.017	25.82	0.418	10.62			6.4	1.12
C0480-042-2000-X					2.000	50.80	1.157	29.39	0.462	11.73			5.6	0.98
C0480-042-2250-X					2.250	57.15	1.293	32.84	0.505	12.83			4.9	0.86
C0480-042-2500-X					2.500	63.50	1.509	38.34	0.520	13.21			4.8	0.83
C0480-042-2750-X					2.750	69.85	1.643	41.73	0.561	14.25			4.3	0.74



316 STAINLESS STEEL

Catalog Number	Outside Diameter (OD)		Wire Diameter (d)		Free Length (L) Approx.		Load Length (L1)		Solid Height (Sh) Approx.		Load (P) at L1		Spring Rate (R)	
	in	mm	in	mm	in	mm	in	mm	in	mm	lb	N	lb/in	N/mm
C0480-042-3000-X	0.480	12.19	0.042	1.07	3.000	76.20	1.798	45.68	0.602	15.29	4.70	20.92	3.9	0.69
C0480-045-0500-X					0.500	12.70	0.302	7.68	0.185	4.70			29.2	5.11
C0480-045-0625-X			0.620	15.75	0.373	9.47	0.209	5.31	23.3	4.08				
C0480-045-0750-X			0.750	19.05	0.435	11.06	0.242	6.15	18.3	3.21				
C0480-045-0880-X			0.880	22.35	0.516	13.10	0.266	6.76	15.8	2.77				
C0480-045-1000-X			1.000	25.40	0.593	15.06	0.287	7.29	14.2	2.48				
C0480-045-1250-X			1.250	31.75	0.717	18.22	0.348	8.84	10.8	1.90				
C0480-045-1500-X			1.500	38.10	0.871	22.11	0.395	10.03	9.2	1.60				
C0480-045-1750-X			1.750	44.45	1.029	26.13	0.469	11.91	8.0	1.40				
C0480-045-2000-X			2.000	50.80	1.176	29.87	0.520	13.21	7.0	1.23				
C0480-045-2250-X			2.250	57.15	1.314	33.39	0.570	14.48	6.2	1.08				
C0480-045-2500-X			2.500	63.50	1.451	36.86	0.620	15.75	5.5	0.96				
C0480-045-2750-X			2.750	69.85	1.596	40.54	0.671	17.04	5.0	0.88				
C0480-045-3000-X			3.000	76.20	1.741	44.23	0.721	18.31	4.6	0.80				
C0480-051-0500-X			0.045	1.14	0.500	12.70	0.340	8.64	0.255	6.48	5.77	25.65	51.1	8.94
C0480-051-0620-X					0.620	15.75	0.412	10.47	0.286	7.26			39.2	6.87
C0480-051-0750-X			0.750	19.05	0.490	12.45	0.320	8.13	31.4	5.50				
C0480-051-0880-X			0.880	22.35	0.568	14.43	0.353	8.97	26.2	4.58				
C0480-051-1000-X			1.000	25.40	0.640	16.26	0.384	9.75	22.7	3.97				
C0480-051-1250-X			1.250	31.75	0.790	20.07	0.448	11.38	17.7	3.11				
C0480-051-1500-X			1.500	38.10	0.941	23.89	0.513	13.03	14.6	2.55				
C0480-051-1750-X			1.750	44.45	1.088	27.65	0.577	14.66	12.3	2.16				
C0480-051-2000-X			2.000	50.80	1.241	31.52	0.641	16.28	10.8	1.88				
C0480-051-2250-X			2.250	57.15	1.391	35.34	0.706	17.93	9.5	1.66				
C0480-051-2500-X			2.500	63.50	1.540	39.12	0.770	19.56	8.5	1.49				
C0480-051-2750-X			2.750	69.85	1.686	42.82	0.834	21.18	7.7	1.34				
C0480-051-3000-X			3.000	76.20	1.834	46.59	0.899	22.83	7.0	1.23				
C0480-055-0500-X			0.051	1.30	0.500	12.70	0.334	8.48	0.246	6.25	8.16	36.28	60.0	10.50
C0480-055-0625-X					0.620	15.75	0.407	10.33	0.285	7.24			46.7	8.17
C0480-055-0750-X			0.750	19.05	0.496	12.59	0.319	8.10	39.2	6.86				
C0480-055-0880-X			0.880	22.35	0.566	14.36	0.368	9.35	31.7	5.54				
C0480-055-1000-X			1.000	25.40	0.659	16.73	0.391	9.93	29.2	5.11				
C0480-055-1250-X			1.250	31.75	0.807	20.51	0.474	12.04	22.5	3.94				
C0480-055-1500-X			1.500	38.10	0.957	24.30	0.557	14.15	18.3	3.21				
C0480-055-1750-X			1.750	44.45	1.134	28.80	0.651	16.54	16.2	2.83				
C0480-055-2000-X			2.000	50.80	1.289	32.73	0.725	18.42	14.0	2.45				
C0480-055-2250-X			2.250	57.15	1.448	36.78	0.799	20.29	12.4	2.17				
C0480-055-2500-X			2.500	63.50	1.602	40.68	0.874	22.20	11.1	1.94				
C0480-055-2750-X			2.750	69.85	1.802	45.76	0.911	23.14	10.5	1.84				
C0480-055-3000-X			3.000	76.20	1.961	49.81	0.981	24.92	9.6	1.68				
C0480-059-0500-X			0.055	1.40	0.500	12.70	0.363	9.22	0.305	7.75	9.95	44.27	89.3	15.64
C0480-059-0620-X					0.620	15.75	0.440	11.18	0.346	8.79			68.0	11.90
C0480-059-0750-X			0.750	19.05	0.524	13.30	0.390	9.91	54.0	9.45				
C0480-059-1000-X			1.000	25.40	0.684	17.37	0.474	12.04	38.7	6.77				
C0480-059-1250-X			1.250	31.75	0.845	21.45	0.558	14.17	30.2	5.28				
C0480-059-1500-X			1.500	38.10	1.004	25.51	0.642	16.31	24.7	4.32				
C0480-059-1750-X			1.750	44.45	1.165	29.60	0.726	18.44	20.9	3.66				
C0480-059-2000-X			2.000	50.80	1.327	33.70	0.810	20.57	18.2	3.18				
C0480-059-2250-X			2.250	57.15	1.486	37.73	0.894	22.71	16.0	2.80				
C0480-059-2500-X			2.500	63.50	1.647	41.83	0.978	24.84	14.3	2.51				
C0480-059-2750-X			2.750	69.85	1.809	45.95	1.062	26.97	13.0	2.27				
C0480-059-3000-X			3.000	76.20	1.966	49.95	1.146	29.11	11.8	2.07				
C0480-063-0500-X			0.059	1.50	0.500	12.70	0.355	9.02	0.296	7.52	12.23	54.38	100.0	17.50
C0480-063-0625-X					0.620	15.75	0.437	11.10	0.342	8.69			79.1	13.86
C0480-063-0750-X			0.750	19.05	0.527	13.39	0.388	9.86	65.0	11.38				
C0480-063-0880-X			0.880	22.35	0.617	15.67	0.436	11.07	55.0	9.63				
C0480-063-1000-X			1.000	25.40	0.695	17.66	0.485	12.32	47.5	8.31				
C0480-063-1250-X			1.250	31.75	0.864	21.94	0.582	14.78	37.5	6.57				
C0480-063-1380-X			1.380	35.05	0.973	24.72	0.655	16.64	35.6	6.23				
C0480-063-1500-X			1.500	38.10	1.043	26.49	0.665	16.89	31.7	5.54				
C0480-063-1750-X			1.750	44.45	1.210	30.75	0.801	20.35	26.8	4.70				
C0480-063-2000-X			2.000	50.80	1.377	34.98	0.895	22.73	23.2	4.07				
C0480-063-2250-X			2.250	57.15	1.544	39.21	0.989	25.12	20.5	3.59				
C0480-063-2500-X			2.500	63.50	1.710	43.44	1.083	27.51	18.3	3.21				
C0480-063-2750-X			2.750	69.85	1.877	47.68	1.177	29.90	16.6	2.90				
C0480-063-3000-X			3.000	76.20	2.045	51.96	1.271	32.28	15.2	2.65				
C0480-067-0500-X			0.063	1.60	0.500	12.70	0.385	9.78	0.336	8.53	14.47	64.37	150.5	26.36
C0480-067-0620-X					0.620	15.75	0.467	11.87	0.403	10.24			113.4	19.85
C0480-067-0750-X			0.750	19.05	0.556	14.13	0.458	11.63	89.5	15.67				
C0480-067-0880-X			0.880	22.35	0.646	16.40	0.512	13.00	73.9	12.94				
C0480-067-1000-X			1.000	25.40	0.728	18.49	0.562	14.27	63.6	11.14				
C0480-067-1250-X			1.250	31.75	0.900	22.85	0.666	16.92	49.4	8.65				
C0480-067-1500-X			1.500	38.10	1.071	27.19	0.770	19.56	40.3	7.06				



TO ORDER: WWW.ASRAYMOND.COM OR SEE PHONE & FAX NUMBERS ON BACK COVER

SPEC



316 STAINLESS STEEL

Catalog Number	Outside Diameter (OD)		Wire Diameter (d)		Free Length (L) Approx.		Load Length (L1)		Solid Height (Sh) Approx.		Load (P) at L1		Spring Rate (R)	
	in	mm	in	mm	in	mm	in	mm	in	mm	lb	N	lb/in	N/mm
C0480-067-1750-X					1.750	44.45	1.242	31.54	0.874	22.20			34.1	5.97
C0480-067-2000-X					2.000	50.80	1.413	35.89	0.978	24.84			29.5	5.16
C0480-067-2250-X			0.67	1.71	2.250	57.15	1.586	40.28	1.082	27.48	17.31	77.00	26.1	4.57
C0480-067-2500-X					2.500	63.50	1.758	44.65	1.187	30.15			23.3	4.08
C0480-067-2750-X					2.750	69.85	1.929	48.99	1.291	32.79			21.1	3.69
C0480-067-3000-X					3.000	76.20	2.100	53.35	1.395	35.43			19.2	3.37
C0480-072-0500-X					0.500	12.70	0.402	10.21	0.358	9.09			212.9	37.28
C0480-072-0620-X					0.620	15.75	0.489	12.43	0.419	10.64			159.3	27.89
C0480-072-0750-X					0.750	19.05	0.583	14.82	0.485	12.32			125.1	21.91
C0480-072-0880-X					0.880	22.35	0.678	17.22	0.547	13.89			103.0	18.04
C0480-072-1000-X					1.000	25.40	0.765	19.42	0.601	15.27			88.6	15.51
C0480-072-1250-X					1.250	31.75	0.946	24.03	0.714	18.14			68.6	12.01
C0480-072-1500-X					1.500	38.10	1.127	28.63	0.826	20.98			55.9	9.79
C0480-072-1750-X			0.072	1.83	1.750	44.45	1.309	33.24	0.939	23.85	20.84	92.68	47.2	8.27
C0480-072-2000-X					2.000	50.80	1.490	37.83	1.051	26.70			40.8	7.15
C0480-072-2250-X					2.250	57.15	1.671	42.44	1.164	29.57			36.0	6.30
C0480-072-2500-X					2.500	63.50	1.852	47.04	1.276	32.41			32.2	5.63
C0480-072-2750-X					2.750	69.85	2.033	51.65	1.389	35.28			29.1	5.09
C0480-072-3000-X					3.000	76.20	2.216	56.28	1.501	38.13			26.6	4.65
C0480-072-3250-X					3.250	82.55	2.396	60.87	1.614	41.00			24.4	4.27
C0480-072-3500-X					3.500	88.90	2.577	65.46	1.726	43.84			22.6	3.95
C0480-074-0500-X					0.500	12.70	0.406	10.32	0.350	8.89			240.8	42.17
C0480-074-0620-X					0.620	15.75	0.494	12.56	0.421	10.69			179.6	31.45
C0480-074-0750-X					0.750	19.05	0.590	14.98	0.482	12.24			140.9	24.67
C0480-074-0880-X					0.880	22.35	0.685	17.40	0.546	13.87			115.8	20.28
C0480-074-1000-X	0.480	12.19			1.000	25.40	0.773	19.64	0.610	15.49			99.5	17.42
C0480-074-1250-X					1.250	31.75	0.957	24.30	0.734	18.64			76.9	13.46
C0480-074-1500-X					1.500	38.10	1.140	28.97	0.855	21.72			62.7	10.98
C0480-074-1750-X			0.074	1.88	1.750	44.45	1.324	33.62	0.972	24.69	22.55	100.32	52.9	9.26
C0480-074-2000-X					2.000	50.80	1.508	38.30	1.089	27.66			45.8	8.02
C0480-074-2250-X					2.250	57.15	1.691	42.94	1.206	30.63			40.3	7.06
C0480-074-2500-X					2.500	63.50	1.875	47.62	1.324	33.63			36.1	6.32
C0480-074-2750-X					2.750	69.85	2.058	52.26	1.441	36.60			32.6	5.70
C0480-074-3000-X					3.000	76.20	2.242	56.94	1.558	39.57			29.7	5.21
C0480-074-3250-X					3.250	82.55	2.425	61.58	1.675	42.55			27.3	4.78
C0480-074-3500-X					3.500	88.90	2.609	66.28	1.792	45.52			25.3	4.43
C0480-081-0500-X					0.500	12.70	0.423	10.75	0.379	9.63			372.1	65.16
C0480-081-0620-X					0.620	15.75	0.516	13.11	0.458	11.63			274.6	48.09
C0480-081-0750-X					0.750	19.05	0.616	15.66	0.526	13.36			213.9	37.46
C0480-081-0880-X					0.880	22.35	0.717	18.21	0.598	15.19			175.2	30.68
C0480-081-1000-X					1.000	25.40	0.810	20.57	0.669	16.99			150.1	26.29
C0480-081-1250-X					1.250	31.75	1.003	25.47	0.808	20.52			115.6	20.25
C0480-081-1500-X					1.500	38.10	1.196	30.39	0.942	23.93			94.1	16.47
C0480-081-1750-X			0.081	2.06	1.750	44.45	1.389	35.29	1.073	27.25	28.56	127.05	79.2	13.87
C0480-081-2000-X					2.000	50.80	1.583	40.20	1.204	30.58			68.5	11.99
C0480-081-2250-X					2.250	57.15	1.776	45.10	1.334	33.88			60.2	10.55
C0480-081-2500-X					2.500	63.50	1.969	50.02	1.465	37.21			53.8	9.42
C0480-081-2750-X					2.750	69.85	2.162	54.91	1.595	40.51			48.6	8.50
C0480-081-3000-X					3.000	76.20	2.355	59.83	1.726	43.84			44.3	7.76
C0480-081-3250-X					3.250	82.55	2.549	64.74	1.857	47.17			40.7	7.13
C0480-081-3500-X					3.500	88.90	2.741	69.63	1.987	50.47			37.7	6.59
C0600-045-0500-X					0.500	12.70	0.274	6.95	0.153	3.89			20.6	3.60
C0600-045-0625-X					0.620	15.75	0.309	7.86	0.179	4.55			15.0	2.63
C0600-045-0750-X					0.750	19.05	0.351	8.90	0.205	5.21			11.7	2.04
C0600-045-0880-X					0.880	22.35	0.414	10.52	0.224	5.69			10.0	1.75
C0600-045-1000-X					1.000	25.40	0.441	11.20	0.251	6.38			8.3	1.46
C0600-045-1250-X					1.250	31.75	0.551	14.00	0.292	7.42			6.7	1.17
C0600-045-1380-X					1.380	35.05	0.592	15.05	0.306	7.77			5.9	1.03
C0600-045-1500-X			0.045	1.14	1.500	38.10	0.640	16.25	0.338	8.59	4.66	20.72	5.4	0.95
C0600-045-1750-X					1.750	44.45	0.915	23.25	0.366	9.30			5.6	0.98
C0600-045-2000-X					2.000	50.80	1.036	26.31	0.401	10.19			4.8	0.85
C0600-045-2250-X					2.250	57.15	1.175	29.84	0.436	11.07			4.3	0.76
C0600-045-2500-X	0.600	15.24			2.500	63.50	1.284	32.62	0.471	11.96			3.8	0.67
C0600-045-2750-X					2.750	69.85	1.278	32.47	0.540	13.72			3.2	0.56
C0600-045-3000-X					3.000	76.20	1.402	35.62	0.585	14.86			2.9	0.51
C0600-045-3500-X					3.500	88.90	1.636	41.56	0.659	16.74			2.5	0.44
C0600-049-0620-X					0.620	15.75	0.369	9.36	0.234	5.94			23.3	4.08
C0600-049-0750-X					0.750	19.05	0.436	11.07	0.255	6.48			18.7	3.27
C0600-049-1000-X					1.000	25.40	0.565	14.36	0.297	7.54			13.5	2.36
C0600-049-1250-X			0.049	1.24	1.250	31.75	0.696	17.67	0.338	8.59	5.86	26.08	10.6	1.85
C0600-049-1500-X					1.500	38.10	0.823	20.91	0.380	9.65			8.7	1.52
C0600-049-1750-X					1.750	44.45	0.950	24.13	0.422	10.72			7.3	1.28
C0600-049-2000-X					2.000	50.80	1.086	27.58	0.463	11.76			6.4	1.12



316 STAINLESS STEEL

Catalog Number	Outside Diameter (OD)		Wire Diameter (d)		Free Length (L) Approx.		Load Length (L1)		Solid Height (Sh) Approx.		Load (P) at L1		Spring Rate (R)	
	in	mm	in	mm	in	mm	in	mm	in	mm	lb	N	lb/in	N/mm
C0600-049-2250-X					2.250	57.15	1.215	30.86	0.505	12.83				
C0600-049-2500-X			0.049	1.24	2.500	63.50	1.346	34.19	0.546	13.87	5.86	26.08	5.1	0.89
C0600-049-2750-X					2.750	69.85	1.470	37.34	0.55.8688	14.94			4.6	0.80
C0600-049-3000-X					3.000	76.20	1.592	40.44	0.629	15.98			4.2	0.73
C0600-055-0625-X					0.620	15.75	0.378	9.60	0.226	5.74			33.3	5.83
C0600-055-0750-X					0.750	19.05	0.457	11.60	0.251	6.38			27.5	4.81
C0600-055-0880-X					0.880	22.35	0.534	13.57	0.276	7.01			23.3	4.08
C0600-055-1000-X					1.000	25.40	0.597	15.15	0.304	7.72			20.0	3.50
C0600-055-1250-X					1.250	31.75	0.712	18.09	0.369	9.37			15.0	2.63
C0600-055-1500-X			0.055	1.40	1.500	38.10	0.854	21.70	0.420	10.67	8.07	35.88	12.5	2.19
C0600-055-1750-X					1.750	44.45	1.005	25.53	0.509	12.93			10.8	1.90
C0600-055-2000-X					2.000	50.80	1.143	29.04	0.562	14.27			9.4	1.65
C0600-055-2250-X					2.250	57.15	1.282	32.56	0.614	15.60			8.3	1.46
C0600-055-2500-X					2.500	63.50	1.412	35.87	0.667	16.94			7.4	1.30
C0600-055-2750-X					2.750	69.85	1.583	40.22	0.701	17.81			6.9	1.21
C0600-055-3000-X					3.000	76.20	1.726	43.84	0.752	19.10			6.3	1.11
C0600-059-0620-X					0.620	15.75	0.398	10.11	0.298	7.57			44.7	7.83
C0600-059-0750-X					0.750	19.05	0.471	11.97	0.329	8.36			35.6	6.23
C0600-059-0880-X					0.880	22.35	0.544	13.81	0.360	9.14			29.5	5.16
C0600-059-1000-X					1.000	25.40	0.611	15.51	0.389	9.88			25.5	4.46
C0600-059-1250-X					1.250	31.75	0.750	19.04	0.449	11.40			19.8	3.47
C0600-059-1500-X			0.059	1.50	1.500	38.10	0.889	22.59	0.510	12.95	9.92	44.13	16.2	2.84
C0600-059-1750-X					1.750	44.45	1.028	26.12	0.570	14.48			13.7	2.41
C0600-059-2000-X					2.000	50.80	1.167	29.65	0.630	16.00			11.9	2.09
C0600-059-2250-X					2.250	57.15	1.305	33.14	0.690	17.53			10.5	1.84
C0600-059-2500-X					2.500	63.50	1.446	36.73	0.750	19.05			9.4	1.65
C0600-059-2750-X					2.750	69.85	1.582	40.19	0.811	20.60			8.5	1.49
C0600-059-3000-X					3.000	76.20	1.733	44.02	0.871	22.12			7.8	1.37
C0600-063-0625-X					0.620	15.75	0.392	9.96	0.280	7.11			51.7	9.04
C0600-063-0750-X					0.750	19.05	0.473	12.02	0.314	7.98			42.5	7.44
C0600-063-0880-X					0.880	22.35	0.559	14.20	0.343	8.71			36.7	6.42
C0600-063-1000-X					1.000	25.40	0.628	15.96	0.378	9.60			31.7	5.54
C0600-063-1250-X					1.250	31.75	0.795	20.18	0.435	11.05			25.8	4.52
C0600-063-1500-X					1.500	38.10	0.912	23.16	0.526	13.36			20.0	3.50
C0600-063-1750-X			0.063	1.60	1.750	44.45	1.071	27.21	0.632	16.05	11.76	52.31	17.3	3.03
C0600-063-2000-X					2.000	50.80	1.216	30.88	0.700	17.78			15.0	2.63
C0600-063-2250-X	0.600	15.24			2.250	57.15	1.362	34.60	0.768	19.51			13.2	2.32
C0600-063-2500-X					2.500	63.50	1.506	38.25	0.836	21.23			11.8	2.07
C0600-063-2750-X					2.750	69.85	1.719	43.67	0.863	21.92			11.4	2.00
C0600-063-3000-X					3.000	76.20	1.871	47.51	0.927	23.55			10.4	1.82
C0600-063-3500-X					3.500	88.90	2.168	55.07	1.055	26.80			8.8	1.55
C0600-067-0625-X					0.620	15.75	0.409	10.38	0.300	7.62			66.6	11.67
C0600-067-0750-X					0.750	19.05	0.494	12.54	0.336	8.53			55.0	9.63
C0600-067-0880-X					0.880	22.35	0.542	13.76	0.401	10.19			41.7	7.29
C0600-067-1000-X					1.000	25.40	0.624	15.85	0.430	10.92			37.5	6.57
C0600-067-1250-X					1.250	31.75	0.780	19.81	0.505	12.83			30.0	5.25
C0600-067-1500-X			0.067	1.70	1.500	38.10	0.917	23.28	0.594	15.09	14.09	62.68	24.2	4.23
C0600-067-1750-X					1.750	44.45	1.014	25.77	0.715	18.16			19.2	3.36
C0600-067-2000-X					2.000	50.80	1.248	31.70	0.771	19.58			18.7	3.28
C0600-067-2250-X					2.250	57.15	1.396	35.45	0.847	21.51			16.5	2.89
C0600-067-2500-X					2.500	63.50	1.544	39.22	0.923	23.44			14.7	2.58
C0600-067-2750-X					2.750	69.85	1.737	44.12	0.966	24.54			13.9	2.44
C0600-067-3000-X					3.000	76.20	1.894	48.12	1.040	26.42			12.7	2.23
C0600-072-0620-X					0.620	15.75	0.442	11.22	0.381	9.68			95.4	16.70
C0600-072-0750-X					0.750	19.05	0.488	12.41	0.396	10.06			65.0	11.38
C0600-072-0880-X					0.880	22.35	0.580	14.73	0.433	11.00			56.6	9.92
C0600-072-1000-X					1.000	25.40	0.629	15.98	0.502	12.75			45.8	8.02
C0600-072-1250-X					1.250	31.75	0.797	20.23	0.581	14.76			37.5	6.57
C0600-072-1500-X			0.072	1.83	1.500	38.10	0.933	23.70	0.691	17.55	17.00	75.60	30.0	5.25
C0600-072-1750-X					1.750	44.45	1.070	27.17	0.801	20.35			25.0	4.38
C0600-072-2000-X					2.000	50.80	1.271	32.29	0.848	21.54			23.3	4.08
C0600-072-2250-X					2.250	57.15	1.462	37.14	0.946	24.03			21.6	3.78
C0600-072-2500-X					2.500	63.50	1.617	41.06	1.033	26.24			19.2	3.37
C0600-072-2750-X					2.750	69.85	1.774	45.05	1.119	28.42			17.4	3.05
C0600-072-3000-X					3.000	76.20	1.932	49.06	1.206	30.63			15.9	2.79
C0600-081-0620-X					0.620	15.75	0.488	12.39	0.412	10.46			177.1	31.01
C0600-081-0750-X					0.750	19.05	0.580	14.74	0.459	11.66			137.9	24.16
C0600-081-0880-X					0.880	22.35	0.673	17.09	0.507	12.88			113.0	19.78
C0600-081-1000-X			0.081	2.06	1.000	25.40	0.758	19.26	0.552	14.02	23.40	104.10	96.8	16.95
C0600-081-1250-X					1.250	31.75	0.936	23.78	0.644	16.36			74.6	13.06
C0600-081-1500-X					1.500	38.10	1.114	28.30	0.736	18.69			60.6	10.62
C0600-081-1750-X					1.750	44.45	1.292	32.81	0.828	21.03			51.1	8.94
C0600-081-2000-X					2.000	50.80	1.470	37.34	0.920	23.37			44.2	7.73



TO ORDER: WWW.ASRAYMOND.COM OR SEE PHONE & FAX NUMBERS ON BACK COVER

SPEC

316 STAINLESS STEEL

Catalog Number	Outside Diameter (OD)		Wire Diameter (d)		Free Length (L) Approx.		Load Length (L1)		Solid Height (Sh) Approx.		Load (P) at L1		Spring Rate (R)	
	in	mm	in	mm	in	mm	in	mm	in	mm	lb	N	lb/in	N/mm
C0600-081-2250-X					2.250	57.15	1.647	41.84	1.012	25.70			38.8	6.80
C0600-081-2500-X					2.500	63.50	1.826	46.39	1.104	28.04			34.7	6.08
C0600-081-2750-X					2.750	69.85	2.003	50.87	1.196	30.38			31.3	5.48
C0600-081-3000-X			0.081	2.06	3.000	76.20	2.181	55.39	1.288	32.72	23.40	104.10	28.6	5.00
C0600-081-3250-X					3.250	82.55	2.358	59.89	1.380	35.05			26.2	4.60
C0600-081-3500-X					3.500	88.90	2.538	64.46	1.472	37.39			24.3	4.26
C0600-081-3750-X					3.750	95.25	2.713	68.92	1.564	39.73			22.6	3.95
C0600-081-4000-X					4.000	101.60	2.894	73.50	1.656	42.06			21.2	3.71
C0600-085-0620-X					0.620	15.75	0.497	12.62	0.433	11.00			218.7	38.29
C0600-085-0750-X					0.750	19.05	0.591	15.02	0.484	12.29			169.6	29.70
C0600-085-0880-X					0.880	22.35	0.686	17.42	0.536	13.61			138.6	24.27
C0600-085-1000-X					1.000	25.40	0.773	19.63	0.583	14.81			118.5	20.76
C0600-085-1250-X					1.250	31.75	0.955	24.24	0.682	17.32			91.1	15.96
C0600-085-1500-X					1.500	38.10	1.136	28.85	0.781	19.84			74.0	12.95
C0600-085-1750-X					1.750	44.45	1.318	33.47	0.880	22.35			62.3	10.91
C0600-085-2000-X			0.085	2.16	2.000	50.80	1.499	38.07	0.978	24.84	26.93	119.77	53.7	9.41
C0600-085-2250-X					2.250	57.15	1.681	42.69	1.077	27.36			47.3	8.28
C0600-085-2500-X					2.500	63.50	1.862	47.31	1.176	29.87			42.2	7.40
C0600-085-2750-X					2.750	69.85	2.044	51.92	1.275	32.39			38.2	6.68
C0600-085-3000-X					3.000	76.20	2.225	56.51	1.374	34.90			34.7	6.08
C0600-085-3250-X					3.250	82.55	2.406	61.11	1.473	37.41			31.9	5.59
C0600-085-3500-X					3.500	88.90	2.589	65.77	1.572	39.93			29.6	5.18
C0600-085-3750-X					3.750	95.25	2.770	70.37	1.670	42.42			27.5	4.81
C0600-085-4000-X					4.000	101.60	2.950	74.94	1.769	44.93			25.7	4.49
C0600-092-0750-X					0.750	19.05	0.611	15.51	0.524	13.31			242.8	42.52
C0600-092-0880-X					0.880	22.35	0.708	17.99	0.581	14.76			197.4	34.57
C0600-092-1000-X	0.600	15.24			1.000	25.40	0.799	20.29	0.633	16.08			168.4	29.50
C0600-092-1250-X					1.250	31.75	0.987	25.07	0.743	18.87			128.9	22.57
C0600-092-1500-X					1.500	38.10	1.176	29.86	0.853	21.67			104.5	18.29
C0600-092-1750-X					1.750	44.45	1.364	34.64	0.962	24.43			87.7	15.36
C0600-092-2000-X					2.000	50.80	1.552	39.43	1.072	27.23			75.6	13.25
C0600-092-2250-X			0.092	2.34	2.250	57.15	1.741	44.21	1.181	30.00	33.87	150.64	66.5	11.64
C0600-092-2500-X					2.500	63.50	1.929	49.00	1.291	32.79			59.3	10.39
C0600-092-2750-X					2.750	69.85	2.118	53.79	1.400	35.56			53.6	9.38
C0600-092-3000-X					3.000	76.20	2.306	58.58	1.510	38.35			48.8	8.55
C0600-092-3250-X					3.250	82.55	2.494	63.35	1.619	41.12			44.8	7.85
C0600-092-3500-X					3.500	88.90	2.682	68.12	1.729	43.92			41.4	7.25
C0600-092-3750-X					3.750	95.25	2.872	72.95	1.838	46.69			38.6	6.75
C0600-092-4000-X					4.000	101.60	3.059	77.69	1.948	49.48			36.0	6.30
C0600-098-0750-X					0.750	19.05	0.627	15.93	0.559	14.20			323.0	56.57
C0600-098-0880-X					0.880	22.35	0.728	18.50	0.621	15.77			261.7	45.82
C0600-098-1000-X					1.000	25.40	0.822	20.88	0.678	17.22			222.6	38.98
C0600-098-1250-X					1.250	31.75	1.017	25.82	0.798	20.27			169.9	29.74
C0600-098-1500-X					1.500	38.10	1.211	30.76	0.917	23.29			137.3	24.04
C0600-098-1750-X					1.750	44.45	1.406	35.71	1.037	26.34			115.2	20.17
C0600-098-2000-X					2.000	50.80	1.600	40.65	1.156	29.36			99.2	17.37
C0600-098-2250-X			0.098	2.49	2.250	57.15	1.795	45.59	1.276	32.41	39.65	176.35	87.1	15.26
C0600-098-2500-X					2.500	63.50	1.990	50.54	1.395	35.43			77.7	13.61
C0600-098-2750-X					2.750	69.85	2.184	55.48	1.515	38.48			70.1	12.27
C0600-098-3000-X					3.000	76.20	2.379	60.42	1.634	41.50			63.8	11.17
C0600-098-3250-X					3.250	82.55	2.574	65.38	1.754	44.55			58.6	10.27
C0600-098-3500-X					3.500	88.90	2.768	70.30	1.873	47.57			54.2	9.48
C0600-098-3750-X					3.750	95.25	2.963	75.27	1.993	50.62			50.4	8.83
C0600-098-4000-X					4.000	101.60	3.158	80.20	2.112	53.64			47.1	8.24
C0720-055-0620-X					0.620	15.75	0.370	9.39	0.241	6.12			27.1	4.74
C0720-055-0750-X					0.750	19.05	0.396	10.07	0.221	5.61			19.2	3.36
C0720-055-0880-X					0.880	22.35	0.473	12.02	0.238	6.05			16.7	2.92
C0720-055-1000-X					1.000	25.40	0.560	14.23	0.248	6.30			15.4	2.70
C0720-055-1250-X					1.250	31.75	0.708	17.98	0.281	7.14			12.5	2.19
C0720-055-1500-X			0.055	1.40	1.500	38.10	0.793	20.14	0.333	8.46	6.77	30.13	9.6	1.68
C0720-055-1750-X					1.750	44.45	0.866	22.00	0.388	9.86			7.7	1.34
C0720-055-2000-X					2.000	50.80	1.043	26.50	0.411	10.44			7.1	1.24
C0720-055-2250-X					2.250	57.15	1.207	30.67	0.482	12.24			6.5	1.14
C0720-055-2500-X	0.720	18.29			2.500	63.50	1.321	33.56	0.519	13.18			5.8	1.01
C0720-055-2750-X					2.750	69.85	1.459	37.06	0.556	14.12			5.3	0.92
C0720-055-3000-X					3.000	76.20	1.573	39.96	0.593	15.06			4.8	0.83
C0720-059-0750-X					0.750	19.05	0.446	11.32	0.285	7.24			27.4	4.80
C0720-059-0880-X					0.880	22.35	0.513	13.04	0.308	7.82			22.7	3.98
C0720-059-1000-X					1.000	25.40	0.574	14.58	0.328	8.33			19.6	3.43
C0720-059-1250-X			0.059	1.50	1.250	31.75	0.703	17.86	0.371	9.42	8.34	37.09	15.2	2.67
C0720-059-1500-X					1.500	38.10	0.833	21.15	0.414	10.52			12.5	2.19
C0720-059-1750-X					1.750	44.45	0.962	24.43	0.457	11.61			10.6	1.85
C0720-059-2000-X					2.000	50.80	1.090	27.68	0.499	12.67			9.2	1.60



316 STAINLESS STEEL

Catalog Number	Outside Diameter (OD)		Wire Diameter (d)		Free Length (L) Approx.		Load Length (L1)		Solid Height (Sh) Approx.		Load (P) at L1		Spring Rate (R)	
	in	mm	in	mm	in	mm	in	mm	in	mm	lb	N	lb/in	N/mm
C0720-059-2250-X	0.720	18.29	0.059	1.50	2.250	57.15	1.218	30.94	0.542	13.77	8.34	37.09	8.1	1.41
C0720-059-2500-X					2.500	63.50	1.349	34.27	0.585	14.86			7.3	1.27
C0720-063-0620-X					0.620	15.75	0.392	9.95	0.286	7.26			43.3	7.59
C0720-063-0750-X					0.750	19.05	0.390	9.91	0.284	7.21			27.5	4.81
C0720-063-0880-X					0.880	22.35	0.456	11.58	0.313	7.95			23.3	4.08
C0720-063-1000-X					1.000	25.40	0.505	12.83	0.344	8.74			20.0	3.50
C0720-063-1250-X			1.250	31.75	0.608	15.44	0.409	10.39	15.4	2.70				
C0720-063-1500-X			1.500	38.10	0.708	17.99	0.475	12.07	12.5	2.19				
C0720-063-1750-X			1.750	44.45	0.836	21.24	0.529	13.44	10.8	1.90				
C0720-063-2000-X			2.000	50.80	0.920	23.37	0.602	15.29	9.2	1.60				
C0720-063-2250-X			2.250	57.15	1.268	32.22	0.605	15.37	10.1	1.77				
C0720-063-2500-X			2.500	63.50	1.400	35.57	0.654	16.61	9.0	1.58				
C0720-063-2750-X			2.750	69.85	1.538	39.07	0.702	17.83	8.2	1.43				
C0720-063-3000-X			3.000	76.20	1.665	42.30	0.751	19.08	7.4	1.30				
C0720-065-0750-X			0.750	19.05	0.467	11.86	0.324	8.23	38.3	6.71				
C0720-065-0880-X			0.880	22.35	0.537	13.65	0.351	8.92	31.7	5.54				
C0720-065-1000-X			1.000	25.40	0.603	15.31	0.376	9.55	27.3	4.78				
C0720-065-1250-X			1.250	31.75	0.737	18.72	0.428	10.87	21.2	3.71				
C0720-065-1500-X			1.500	38.10	0.874	22.19	0.480	12.19	17.3	3.03				
C0720-065-1750-X			1.750	44.45	1.010	25.65	0.532	13.51	14.7	2.57				
C0720-065-2000-X			2.000	50.80	1.143	29.03	0.584	14.83	12.7	2.22				
C0720-065-2250-X			2.250	57.15	1.278	32.46	0.636	16.15	11.2	1.95				
C0720-065-2500-X			2.500	63.50	1.415	35.93	0.689	17.50	10.0	1.75				
C0720-065-2750-X			2.750	69.85	1.555	39.50	0.714	18.14	9.1	1.59				
C0720-065-3000-X			3.000	76.20	1.684	42.78	0.793	20.14	8.3	1.44				
C0720-067-0750-X			0.750	19.05	0.465	11.81	0.279	7.09	41.7	7.29				
C0720-067-0880-X			0.880	22.35	0.524	13.31	0.315	8.00	33.3	5.83				
C0720-067-1000-X			1.000	25.40	0.568	14.44	0.354	8.99	27.5	4.81				
C0720-067-1250-X			1.250	31.75	0.722	18.35	0.403	10.24	22.5	3.94				
C0720-067-1500-X			1.500	38.10	0.853	21.65	0.464	11.79	18.3	3.21				
C0720-067-1750-X	1.750	44.45	0.959	24.35	0.538	13.67	15.0	2.63						
C0720-067-2000-X	2.000	50.80	1.081	27.46	0.603	15.32	12.9	2.26						
C0720-067-2250-X	2.250	57.15	1.294	32.87	0.669	16.99	12.4	2.17						
C0720-067-2500-X	2.500	63.50	1.429	36.30	0.724	18.39	11.1	1.94						
C0720-067-3000-X	3.000	76.20	1.705	43.31	0.835	21.21	9.2	1.60						
C0720-067-3250-X	3.250	82.55	1.919	48.74	0.850	21.59	8.9	1.56						
C0720-067-3500-X	3.500	88.90	2.076	52.72	0.902	22.91	8.3	1.46						
C0720-072-0750-X	0.750	19.05	0.494	12.56	0.368	9.35	56.1	9.82						
C0720-072-0880-X	0.880	22.35	0.522	13.25	0.365	9.27	40.0	7.00						
C0720-072-1000-X	1.000	25.40	0.590	15.00	0.397	10.08	35.0	6.13						
C0720-072-1250-X	1.250	31.75	0.759	19.27	0.448	11.38	29.2	5.11						
C0720-072-1500-X	1.500	38.10	0.838	21.30	0.554	14.07	21.7	3.79						
C0720-072-1750-X	1.750	44.45	0.968	24.59	0.628	15.95	18.3	3.21						
C0720-072-2000-X	2.000	50.80	1.140	28.95	0.677	17.20	16.7	2.92						
C0720-072-2250-X	2.250	57.15	1.349	34.27	0.751	19.08	15.9	2.79						
C0720-072-2500-X	2.500	63.50	1.494	37.95	0.815	20.70	14.2	2.49						
C0720-072-2750-X	2.750	69.85	1.633	41.48	0.878	22.30	12.8	2.25						
C0720-072-3000-X	3.000	76.20	1.780	45.21	0.942	23.93	11.8	2.06						
C0720-072-3250-X	3.250	82.55	1.927	48.94	1.005	25.53	10.8	1.90						
C0720-072-3500-X	3.500	88.90	2.067	52.49	1.069	27.15	10.0	1.75						
C0720-072-4000-X	4.000	101.60	2.377	60.38	1.182	30.02	8.8	1.55						
C0720-081-0750-X	0.750	19.05	0.521	13.22	0.429	10.90	86.2	15.10						
C0720-081-0880-X	0.880	22.35	0.600	15.23	0.470	11.94	70.6	12.36						
C0720-081-1000-X	1.000	25.40	0.673	17.09	0.508	12.90	60.5	10.59						
C0720-081-1250-X	1.250	31.75	0.825	20.96	0.587	14.91	46.6	8.15						
C0720-081-1500-X	1.500	38.10	0.978	24.85	0.665	16.89	37.9	6.64						
C0720-081-1750-X	1.750	44.45	1.130	28.71	0.744	18.90	31.9	5.59						
C0720-081-2000-X	2.000	50.80	1.283	32.58	0.823	20.90	27.6	4.83						
C0720-081-2250-X	2.250	57.15	1.434	36.43	0.902	22.91	24.2	4.24						
C0720-081-2500-X	2.500	63.50	1.587	40.31	0.981	24.92	21.7	3.79						
C0720-081-2750-X	2.750	69.85	1.740	44.19	1.060	26.92	19.6	3.43						
C0720-081-3000-X	3.000	76.20	1.891	48.02	1.139	28.93	17.8	3.12						
C0720-081-3500-X	3.500	88.90	2.196	55.77	1.297	32.94	15.2	2.65						
C0720-081-4000-X	4.000	101.60	2.507	63.68	1.455	36.96	13.2	2.32						
C0720-085-0750-X	0.750	19.05	0.553	14.05	0.434	11.02	115.8	20.28						
C0720-085-0880-X	0.880	22.35	0.639	16.23	0.474	12.04	94.6	16.56						
C0720-085-1000-X	1.000	25.40	0.718	18.25	0.512	13.00	80.9	14.16						
C0720-085-1250-X	1.250	31.75	0.883	22.44	0.589	14.96	62.1	10.88						
C0720-085-1500-X	1.500	38.10	1.049	26.64	0.666	16.92	50.5	8.84						
C0720-085-1750-X	1.750	44.45	1.214	30.83	0.743	18.87	42.5	7.44						
C0720-085-2000-X	2.000	50.80	1.379	35.02	0.821	20.85	36.7	6.42						
C0720-085-2250-X	2.250	57.15	1.543	39.20	0.898	22.81	32.2	5.65						
C0720-085-2500-X	2.500	63.50	1.710	43.43	0.975	24.77	28.8	5.05						



TO ORDER: WWW.ASRAYMOND.COM OR SEE PHONE & FAX NUMBERS ON BACK COVER

SPEC

316 STAINLESS STEEL

Catalog Number	Outside Diameter (OD)		Wire Diameter (d)		Free Length (L) Approx.		Load Length (L1)		Solid Height (Sh) Approx.		Load (P) at L1		Spring Rate (R)					
	in	mm	in	mm	in	mm	in	mm	in	mm	lb	N	lb/in	N/mm				
C0720-085-2750-X			0.085	2.16	2.750	69.85	1.874	47.59	1.052	26.72	22.78	101.31	26.0	4.55				
C0720-085-3000-X		3.000			76.20	2.041	51.83	1.130	28.70	23.7			4.16					
C0720-085-3500-X		3.500			88.90	2.370	60.20	1.284	32.61	20.2			3.53					
C0720-085-4000-X		4.000			101.60	2.698	68.53	1.439	36.55	17.5			3.06					
C0720-096-0750-X			0.096	2.44	0.750	19.05	0.590	15.00	0.490	12.45	31.71	141.05	198.8	34.80				
C0720-096-0880-X		0.880			22.35	0.683	17.36	0.537	13.64	161.3			28.24					
C0720-096-1000-X		1.000			25.40	0.769	19.53	0.581	14.76	137.3			24.04					
C0720-096-1250-X		1.250			31.75	0.948	24.07	0.671	17.04	104.9			18.36					
C0720-096-1500-X		1.500			38.10	1.126	28.60	0.762	19.35	84.8			14.85					
C0720-096-1750-X		1.750			44.45	1.305	33.14	0.852	21.64	71.2			12.47					
C0720-096-2000-X		2.000			50.80	1.483	37.68	0.943	23.95	61.4			10.75					
C0720-096-2250-X		2.250			57.15	1.662	42.20	1.034	26.26	53.9			9.44					
C0720-096-2500-X		2.500			63.50	1.840	46.74	1.124	28.55	48.1			8.42					
C0720-096-2750-X		2.750			69.85	2.019	51.29	1.215	30.86	43.4			7.60					
C0720-096-3000-X		3.000			76.20	2.197	55.80	1.305	33.15	39.5			6.91					
C0720-096-3500-X		3.500			88.90	2.555	64.91	1.486	37.74	33.6			5.88					
C0720-096-4000-X		4.000	101.60	2.912	73.97	1.668	42.37	29.2	5.11									
C0720-105-0750-X			0.105	2.67	0.750	19.05	0.611	15.51	0.537	13.64	41.15	183.03	295.5	51.74				
C0720-105-0880-X		0.880			22.35	0.707	17.96	0.591	15.01	238.2			41.70					
C0720-105-1000-X		1.000			25.40	0.796	20.23	0.640	16.26	202.0			35.37					
C0720-105-1250-X		1.250			31.75	0.982	24.94	0.743	18.87	153.4			26.87					
C0720-105-1500-X	0.720	18.29			1.500	38.10	1.167	29.65	0.846	21.49			123.7	21.66				
C0720-105-1750-X		1.750			44.45	1.353	34.36	0.949	24.10	103.6			18.15					
C0720-105-2000-X		2.000			50.80	1.538	39.07	1.052	26.72	89.1			15.61					
C0720-105-2250-X		2.250			57.15	1.724	43.79	1.155	29.34	78.2			13.70					
C0720-105-2500-X		2.500			63.50	1.909	48.49	1.258	31.95	69.6			12.20					
C0720-105-2750-X		2.750			69.85	2.095	53.21	1.361	34.57	62.8			11.00					
C0720-105-3000-X		3.000			76.20	2.281	57.94	1.464	37.19	57.2			10.02					
C0720-105-3500-X		3.500			88.90	2.651	67.34	1.670	42.42	48.5			8.49					
C0720-105-4000-X		4.000	101.60	3.022	76.75	1.876	47.65	42.1	7.37									
C0720-112-0750-X			0.112	2.84	0.750	19.05	0.626	15.90	0.576	14.63	48.36	215.10	390.5	68.39				
C0720-112-0880-X		0.880			22.35	0.726	18.43	0.636	16.15	313.1			54.83					
C0720-112-1000-X		1.000			25.40	0.817	20.76	0.691	17.55	264.6			46.34					
C0720-112-1250-X		1.250			31.75	1.008	25.61	0.805	20.45	200.2			35.05					
C0720-112-1500-X		1.500			38.10	1.200	30.47	0.919	23.34	160.9			28.18					
C0720-112-1750-X		1.750			44.45	1.391	35.33	1.034	26.26	134.6			23.57					
C0720-112-2000-X		2.000			50.80	1.582	40.18	1.148	29.16	115.6			20.25					
C0720-112-2250-X		2.250			57.15	1.773	45.03	1.262	32.05	101.4			17.75					
C0720-112-2500-X		2.500			63.50	1.964	49.88	1.376	34.95	90.2			15.80					
C0720-112-2750-X		2.750			69.85	2.155	54.74	1.491	37.87	81.3			14.24					
C0720-112-3000-X		3.000			76.20	2.346	59.59	1.605	40.77	74.0			12.95					
C0720-112-3500-X		3.500			88.90	2.729	69.32	1.834	46.58	62.7			10.98					
C0720-112-4000-X		4.000	101.60	3.111	79.02	2.062	52.37	54.4	9.52									
C0850-068-0750-X			0.068	1.73	0.750	19.05	0.396	10.06	0.292	7.42	10.58	47.06	29.9	5.24				
C0850-068-0875-X		0.880			22.35	0.454	11.53	0.317	8.05	24.8			4.35					
C0850-068-1000-X		1.000			25.40	0.502	12.75	0.342	8.69	21.2			3.72					
C0850-068-1250-X		1.250			31.75	0.609	15.46	0.391	9.93	16.5			2.89					
C0850-068-1500-X		1.500			38.10	0.711	18.06	0.441	11.20	13.4			2.35					
C0850-068-1750-X		1.750			44.45	0.816	20.73	0.490	12.45	11.3			1.98					
C0850-068-2000-X		2.000			50.80	0.924	23.46	0.540	13.72	9.8			1.72					
C0850-068-2250-X		2.250			57.15	1.029	26.13	0.590	14.99	8.7			1.52					
C0850-068-2500-X		2.500			63.50	1.134	28.81	0.639	16.23	7.8			1.36					
C0850-068-3000-X		3.000			76.20	1.351	34.31	0.739	18.77	6.4			1.12					
C0850-068-3500-X		3.500			88.90	1.546	39.27	0.838	21.29	5.4			0.95					
C0850-068-4000-X		4.000			101.60	1.772	45.01	0.937	23.80	4.8			0.83					
C0850-074-0875-X			0.074	1.88	0.880	22.35	0.483	12.26	0.355	9.02	13.27	59.02	33.4	5.85				
C0850-074-1000-X		1.000			25.40	0.534	13.57	0.384	9.75	28.5			4.99					
C0850-074-1250-X	0.850	21.59			1.250	31.75	0.649	16.48	0.443	11.25			22.1	3.86				
C0850-074-1500-X		1.500			38.10	0.763	19.37	0.501	12.73	18.0			3.15					
C0850-074-2000-X		2.000			50.80	0.992	25.19	0.618	15.70	13.2			2.30					
C0850-074-2500-X		2.500			63.50	1.215	30.87	0.735	18.67	10.3			1.81					
C0850-074-3000-X		3.000			76.20	1.438	36.53	0.852	21.64	8.5			1.49					
C0850-074-3500-X		3.500			88.90	1.669	42.40	0.969	24.61	7.3			1.27					
C0850-081-0750-X					0.081	2.06	0.750	19.05	0.450	11.43			0.365	9.27	16.91	75.23	56.4	9.87
C0850-081-0875-X		0.880					22.35	0.516	13.11	0.400			10.16	46.5			8.14	
C0850-081-1000-X		1.000					25.40	0.573	14.54	0.435			11.05	39.6			6.93	
C0850-081-1250-X		1.250					31.75	0.695	17.66	0.504			12.80	30.5			5.34	
C0850-081-1500-X		1.500	38.10	0.816			20.74	0.573	14.55	24.7	4.33							
C0850-081-1750-X		1.750	44.45	0.941			23.90	0.642	16.31	20.9	3.66							
C0850-081-2000-X		2.000	50.80	1.060			26.92	0.712	18.08	18.0	3.15							
C0850-081-2250-X		2.250	57.15	1.187			30.15	0.781	19.84	15.9	2.79							
C0850-081-2500-X		2.500	63.50	1.306			33.16	0.850	21.59	14.2	2.48							
C0850-081-2750-X		2.750	69.85	1.432			36.36	0.920	23.37	12.8	2.25							



316 STAINLESS STEEL

Catalog Number	Outside Diameter (OD)		Wire Diameter (d)		Free Length (L) Approx.		Load Length (L1)		Solid Height (Sh) Approx.		Load (P) at L1		Spring Rate (R)	
	in	mm	in	mm	in	mm	in	mm	in	mm	lb	N	lb/in	N/mm
C0850-081-3000-X			0.081	2.06	3.000	76.20	1.550	39.36	0.989	25.12	16.91	75.23	11.7	2.04
C0850-081-3500-X					3.500	88.90	1.794	45.56	1.127	28.63			9.9	1.74
C0850-085-0750-X					0.750	19.05	0.462	11.74	0.388	9.86			67.7	11.86
C0850-085-0875-X					0.880	22.35	0.530	13.47	0.426	10.82			55.7	9.76
C0850-085-1000-X					1.000	25.40	0.588	14.93	0.463	11.76			47.3	8.28
C0850-085-1250-X					1.250	31.75	0.713	18.12	0.539	13.69			36.3	6.36
C0850-085-1500-X					1.500	38.10	0.839	21.31	0.615	15.62			29.5	5.16
C0850-085-1750-X			0.085	2.16	1.750	44.45	0.965	24.50	0.690	17.53	19.49	86.71	24.8	4.35
C0850-085-2000-X					2.000	50.80	1.093	27.76	0.766	19.46			21.5	3.76
C0850-085-2250-X					2.250	57.15	1.219	30.96	0.841	21.36			18.9	3.31
C0850-085-2500-X					2.500	63.50	1.341	34.07	0.917	23.29			16.8	2.95
C0850-085-2750-X					2.750	69.85	1.471	37.37	0.992	25.20			15.2	2.67
C0850-085-3000-X					3.000	76.20	1.599	40.60	1.068	27.13			13.9	2.44
C0850-085-3250-X					3.250	82.55	1.720	43.70	1.144	29.06			12.7	2.23
C0850-085-3500-X					3.500	88.90	1.852	47.04	1.219	30.96			11.8	2.07
C0850-085-4000-X					4.000	101.60	2.097	53.27	1.370	34.80			10.3	1.79
C0850-092-0880-X					0.880	22.35	0.552	14.03	0.471	11.96			75.1	13.14
C0850-092-1000-X					1.000	25.40	0.616	15.64	0.513	13.03			64.1	11.22
C0850-092-1250-X	0.850	21.59			1.250	31.75	0.748	18.99	0.600	15.24			49.0	8.58
C0850-092-1500-X					1.500	38.10	0.881	22.37	0.686	17.42			39.7	6.96
C0850-092-1750-X					1.750	44.45	1.012	25.69	0.773	19.63			33.3	5.83
C0850-092-2000-X			0.092	2.34	2.000	50.80	1.144	29.05	0.860	21.84	24.60	109.44	28.7	5.03
C0850-092-2250-X					2.250	57.15	1.278	32.47	0.947	24.05			25.3	4.43
C0850-092-2500-X					2.500	63.50	1.410	35.82	1.033	26.24			22.6	3.95
C0850-092-2750-X					2.750	69.85	1.539	39.10	1.120	28.45			20.3	3.56
C0850-092-3000-X					3.000	76.20	1.675	42.56	1.207	30.66			18.6	3.25
C0850-092-3500-X					3.500	88.90	1.937	49.20	1.380	35.05			15.7	2.76
C0850-098-1000-X					1.000	25.40	0.649	16.47	0.555	14.10			82.2	14.40
C0850-098-1250-X					1.250	31.75	0.789	20.05	0.651	16.54			62.7	10.98
C0850-098-1500-X					1.500	38.10	0.929	23.61	0.747	18.97			50.7	8.87
C0850-098-1750-X					1.750	44.45	1.071	27.21	0.843	21.41			42.6	7.45
C0850-098-2000-X			0.098	2.49	2.000	50.80	1.212	30.78	0.940	23.88	28.90	128.53	36.7	6.42
C0850-098-2250-X					2.250	57.15	1.351	34.32	1.036	26.31			32.2	5.63
C0850-098-2500-X					2.500	63.50	1.492	37.89	1.132	28.75			28.7	5.02
C0850-098-2750-X					2.750	69.85	1.635	41.52	1.229	31.22			25.9	4.54
C0850-098-3000-X					3.000	76.20	1.774	45.07	1.325	33.66			23.6	4.13
C0850-098-3500-X					3.500	88.90	2.055	52.19	1.517	38.53			20.0	3.50
C0975-074-0750-X					0.750	19.05	0.399	10.14	0.295	7.49			33.2	5.81
C0975-074-0875-X					0.880	22.35	0.457	11.60	0.317	8.05			27.5	4.81
C0975-074-1000-X					1.000	25.40	0.503	12.78	0.340	8.64			23.4	4.10
C0975-074-1250-X					1.250	31.75	0.606	15.40	0.386	9.80			18.1	3.17
C0975-074-1500-X			0.074	1.88	1.500	38.10	0.711	18.06	0.431	10.95	11.63	51.74	14.7	2.58
C0975-074-2000-X					2.000	50.80	0.917	23.30	0.522	13.26			10.8	1.88
C0975-074-2500-X					2.500	63.50	1.131	28.72	0.613	15.57			8.5	1.49
C0975-074-3000-X					3.000	76.20	1.337	33.97	0.704	17.88			7.0	1.23
C0975-074-3500-X					3.500	88.90	1.533		0.795	20.19			5.9	1.03
C0975-074-4000-X					4.000	101.60	1.748	44.39	0.886	22.50			5.2	0.90
C0975-085-0875-X					0.880	22.35	0.498	12.65	0.381	9.68			44.8	7.85
C0975-085-1000-X					1.000	25.40	0.550	13.98	0.411	10.44			38.1	6.67
C0975-085-1250-X					1.250	31.75	0.665	16.88	0.470	11.94			29.2	5.12
C0975-085-1500-X			0.085	2.16	1.500	38.10	0.779	19.79	0.530	13.46	17.11	76.12	23.7	4.16
C0975-085-2000-X					2.000	50.80	1.008	25.59	0.649	16.48			17.2	3.02
C0975-085-2500-X					2.500	63.50	1.240	31.49	0.769	19.53			13.6	2.38
C0975-085-3000-X					3.000	76.20	1.467	37.26	0.888	22.56			11.2	1.95
C0975-085-3500-X					3.500	88.90	1.698	43.13	1.007	25.58			9.5	1.66
C0975-092-0875-X	0.975	24.77			0.880	22.35	0.520	13.20	0.421	10.69			60.0	10.50
C0975-092-1000-X					1.000	25.40	0.575	14.59	0.456	11.58			50.8	8.90
C0975-092-1250-X					1.250	31.75	0.694	17.64	0.525	13.34			38.9	6.81
C0975-092-1500-X					1.500	38.10	0.814	20.66	0.594	15.09			31.5	5.51
C0975-092-2000-X			0.092	2.34	2.000	50.80	1.053	26.74	0.732	18.59	21.62	96.15	22.8	4.00
C0975-092-2500-X					2.500	63.50	1.293	32.84	0.871	22.12			17.9	3.14
C0975-092-3000-X					3.000	76.20	1.534	38.96	1.009	25.63			14.7	2.58
C0975-092-3500-X					3.500	88.90	1.770	44.96	1.147	29.13			12.5	2.19
C0975-092-4000-X					4.000	101.60	2.004	50.90	1.286	32.66			10.8	1.90
C0975-096-0875-X					0.880	22.35	0.541	13.74	0.444	11.28			70.5	12.34
C0975-096-1000-X					1.000	25.40	0.599	15.20	0.481	12.22			59.6	10.43
C0975-096-1250-X					1.250	31.75	0.724	18.40	0.556	14.12			45.5	7.96
C0975-096-1500-X			0.096	2.44	1.500	38.10	0.851	21.61	0.631	16.03	23.91	106.34	36.8	6.45
C0975-096-2000-X					2.000	50.80	1.100	27.95	0.780	19.81			26.6	4.65
C0975-096-2500-X					2.500	63.50	1.352	34.34	0.930	23.62			20.8	3.65
C0975-096-3000-X					3.000	76.20	1.607	40.81	1.079	27.41			17.2	3.01
C0975-096-3500-X					3.500	88.90	1.860	47.24	1.228	31.19			14.6	2.55
C0975-105-0880-X			0.105	2.67	0.880	22.35	0.566	14.38	0.496	12.60	31.12	138.42	99.2	17.37



TO ORDER: WWW.ASRAYMOND.COM OR SEE PHONE & FAX NUMBERS ON BACK COVER

SPEC

316 STAINLESS STEEL

Catalog Number	Outside Diameter (OD)		Wire Diameter (d)		Free Length (L) Approx.		Load Length (L1)		Solid Height (Sh) Approx.		Load (P) at L1		Spring Rate (R)	
	in	mm	in	mm	in	mm	in	mm	in	mm	lb	N	lb/in	N/mm
C0975-105-1000-X					1.000	25.40	0.630	16.00	0.538	13.67			84.1	14.73
C0975-105-1250-X					1.250	31.75	0.763	19.38	0.626	15.90			63.9	11.19
C0975-105-1500-X					1.500	38.10	0.895	22.75	0.713	18.11			51.5	9.02
C0975-105-1750-X					1.750	44.45	1.029	26.13	0.800	20.32			43.2	7.56
C0975-105-2000-X					2.000	50.80	1.162	29.52	0.888	22.56			37.2	6.51
C0975-105-2250-X			0.105	2.67	2.250	57.15	1.295	32.88	0.975	24.77	31.12	138.42	32.6	5.70
C0975-105-2500-X					2.500	63.50	1.426	36.23	1.062	26.97			29.0	5.08
C0975-105-2750-X					2.750	69.85	1.560	39.63	1.149	29.18			26.2	4.58
C0975-105-3000-X					3.000	76.20	1.694	43.02	1.237	31.42			23.8	4.17
C0975-105-3500-X					3.500	88.90	1.963	49.85	1.411	35.84			20.2	3.54
C0975-105-4000-X					4.000	101.60	2.229	56.63	1.586	40.28			17.6	3.08
C0975-112-0880-X					0.880	22.35	0.595	15.12	0.535	13.59			128.9	22.57
C0975-112-1000-X					1.000	25.40	0.663	16.85	0.581	14.76			109.0	19.08
C0975-112-1250-X					1.250	31.75	0.805	20.44	0.679	17.25			82.4	14.43
C0975-112-1500-X			0.112	2.84	1.500	38.10	0.946	24.03	0.776	19.71	36.67	163.12	66.2	11.60
C0975-112-2000-X					2.000	50.80	1.229	31.22	0.970	24.64			47.6	8.33
C0975-112-2500-X					2.500	63.50	1.513	38.43	1.164	29.57			37.2	6.51
C0975-112-3000-X					3.000	76.20	1.797	45.65	1.358	34.49			30.5	5.34
C0975-112-3500-X					3.500	88.90	2.080	52.83	1.553	39.45			25.8	4.52
C0975-125-0880-X					0.880	22.35	0.646	16.42	0.602	15.29			205.4	35.97
C0975-125-1000-X					1.000	25.40	0.722	18.34	0.657	16.69			172.6	30.23
C0975-125-1250-X					1.250	31.75	0.879	22.34	0.772	19.61			129.5	22.67
C0975-125-1500-X					1.500	38.10	1.037	26.33	0.887	22.53			103.5	18.13
C0975-125-1750-X					1.750	44.45	1.194	30.33	1.002	25.45			86.3	15.11
C0975-125-2000-X			0.125	3.18	2.000	50.80	1.351	34.33	1.117	28.37	47.98	213.39	74.0	12.95
C0975-125-2250-X	0.975	24.77			2.250	57.15	1.509	38.32	1.232	31.29			64.7	11.33
C0975-125-2500-X					2.500	63.50	1.667	42.33	1.347	34.21			57.6	10.08
C0975-125-2750-X					2.750	69.85	1.824	46.33	1.462	37.13			51.8	9.07
C0975-125-3000-X					3.000	76.20	1.981	50.31	1.577	40.06			47.1	8.24
C0975-125-3500-X					3.500	88.90	2.295	58.30	1.807	45.90			39.8	6.97
C0975-125-4000-X					4.000	101.60	2.609	66.26	2.037	51.74			34.5	6.04
C0975-135-0880-X					0.880	22.35	0.678	17.22	0.643	16.33			297.1	52.02
C0975-135-1000-X					1.000	25.40	0.758	19.26	0.703	17.86			248.2	43.47
C0975-135-1500-X					1.500	38.10	1.092	27.75	0.953	24.21			147.3	25.79
C0975-135-2000-X			0.135	3.43	2.000	50.80	1.092	27.75	1.203	30.56	60.04	267.04	104.7	18.34
C0975-135-2500-X					2.500	63.50	1.761	46.71	1.453	36.91			81.22	14.22
C0975-135-3000-X					3.000	76.20	2.096	55.65	1.703	43.26			66.39	11.63
C0975-135-3500-X					3.500	88.90	2.429	64.59	1.953	49.61			56.06	9.82
C0975-135-4000-X					4.000	101.60	2.764	73.53	2.203	55.96			48.56	8.50
C0975-148-1000-X					1.000	25.40	0.795	20.83	0.763	19.38			382.35	66.96
C0975-148-1500-X					1.500	38.10	1.149	30.30	1.042	26.47			223.58	39.15
C0975-148-2000-X					2.000	50.80	1.504	39.75	1.322	33.58			157.94	27.66
C0975-148-2500-X			0.148	3.76	2.500	63.50	1.858	49.20	1.601	40.67	78.39	348.67	122.12	21.39
C0975-148-3000-X					3.000	76.20	2.213	58.65	1.880	47.75			99.54	17.43
C0975-148-3500-X					3.500	88.90	2.567	68.12	2.159	54.84			84.05	14.72
C0975-148-4000-X					4.000	101.60	2.921	77.57	2.439	61.95			72.64	12.72
C0975-162-1500-X					1.500	38.10	1.214	31.65	1.124	28.55			345.86	60.57
C0975-162-2000-X					2.000	50.80	1.592	41.61	1.430	36.32			242.65	42.49
C0975-162-2500-X			0.162	4.11	2.500	63.50	1.971	51.56	1.735	44.07	98.98	440.25	186.93	32.73
C0975-162-3000-X					3.000	76.20	2.349	61.52	2.041	51.84			152.02	26.62
C0975-162-3500-X					3.500	88.90	2.727	71.48	2.347	59.61			128.03	22.42
C0975-162-4000-X					4.000	101.60	3.105	81.43	2.652	67.36			110.62	19.37
C1100-085-0875-X					0.875	22.35	0.474	13.39	0.348	8.84			37.57	6.58
C1100-085-1000-X					1.000	25.40	0.522	14.83	0.372	9.45			31.90	5.59
C1100-085-1250-X					1.250	31.75	0.630	18.01	0.420	10.67			24.57	4.30
C1100-085-1500-X					1.500	38.10	0.734	21.16	0.467	11.86			19.91	3.49
C1100-085-2000-X					2.000	50.80	0.948	27.51	0.563	14.30			14.49	2.54
C1100-085-2500-X			0.085	2.16	2.500	63.50	1.164	33.83	0.659	16.74	15.24	67.81	11.41	2.00
C1100-085-3000-X					3.000	76.20	1.366	40.06	0.755	19.18			9.33	1.63
C1100-085-3500-X					3.500	88.90	1.594	46.51	0.851	21.62			8.00	1.40
C1100-085-4000-X					4.000	101.60	1.795	52.86	0.947	24.05			6.91	1.21
C1100-085-4500-X					4.500	114.30	1.993	59.18	1.043	26.49			6.08	1.06
C1100-085-5000-X	1.100	27.94			5.000	127.00	2.227	65.53	1.139	28.93			5.50	0.96
C1100-096-0875-X					0.880	22.35	0.513	14.20	0.406	10.31			58.14	10.18
C1100-096-1000-X					1.000	25.40	0.566	15.77	0.436	11.07			49.15	8.61
C1100-096-1250-X					1.250	31.75	0.683	19.13	0.497	12.62			37.57	6.58
C1100-096-1500-X					1.500	38.10	0.799	22.50	0.558	14.17			30.40	5.32
C1100-096-2000-X			0.096	2.44	2.000	50.80	1.031	29.24	0.679	17.25	21.32	94.82	21.99	3.85
C1100-096-2500-X					2.500	63.50	1.264	35.99	0.800	20.32			17.24	3.02
C1100-096-3000-X					3.000	76.20	1.495	42.72	0.922	23.42			14.16	2.48
C1100-096-3500-X					3.500	88.90	1.723	49.45	1.043	26.49			12.00	2.10
C1100-096-4000-X					4.000	101.60	1.953	56.18	1.165	29.59			10.41	1.82
C1100-096-4500-X					4.500	114.30	2.194	62.94	1.286	32.66			9.25	1.62



316 STAINLESS STEEL

Catalog Number	Outside Diameter (OD)		Wire Diameter (d)		Free Length (L) Approx.		Load Length (L1)		Solid Height (Sh) Approx.		Load (P) at L1		Spring Rate (R)	
	in	mm	in	mm	in	mm	in	mm	in	mm	lb	N	lb/in	N/mm
C1100-105-0875-X					0.880	22.35	0.539	14.88	0.453	11.51			81.38	14.25
C1100-105-1000-X					1.000	25.40	0.594	16.54	0.489	12.42			68.47	11.99
C1100-105-1250-X					1.250	31.75	0.717	20.07	0.561	14.25			52.06	9.12
C1100-105-1500-X			0.105	2.67	1.500	38.10	0.838	23.62	0.632	16.05	27.77	123.53	41.98	7.35
C1100-105-2000-X					2.000	50.80	1.082	30.68	0.776	19.71			30.24	5.30
C1100-105-2500-X					2.500	63.50	1.326	37.77	0.919	23.34			23.66	4.14
C1100-105-3000-X					3.000	76.20	1.569	44.86	1.062	26.97			19.41	3.40
C1100-105-3500-X					3.500	88.90	1.808	51.94	1.206	30.63			16.41	2.87
C1100-112-0875-X					0.880	22.35	0.567	15.39	0.489	12.42			104.54	18.31
C1100-112-1000-X					1.000	25.40	0.627	17.12	0.530	13.46			87.71	15.36
C1100-112-1250-X					1.250	31.75	0.756	20.78	0.610	15.49			66.31	11.61
C1100-112-1500-X					1.500	38.10	0.886	24.46	0.690	17.53			53.31	9.34
C1100-112-1750-X					1.750	44.45	1.015	28.14	0.771	19.58			44.57	7.81
C1100-112-2000-X			0.112	2.84	2.000	50.80	1.145	31.83	0.851	21.62	32.75	145.66	38.32	6.71
C1100-112-2250-X					2.250	57.15	1.274	35.51	0.932	23.67			33.57	5.88
C1100-112-2500-X					2.500	63.50	1.405	39.19	1.012	25.70			29.90	5.24
C1100-112-3000-X					3.000	76.20	1.663	46.53	1.173	29.79			24.49	4.29
C1100-112-3500-X					3.500	88.90	1.921	53.90	1.333	33.86			20.74	3.63
C1100-112-4000-X					4.000	101.60	2.180	61.26	1.494	37.95			17.99	3.15
C1100-112-4500-X	1.100	27.94			4.500	114.30	2.442	68.61	1.655	42.04			15.91	2.79
C1100-125-0880-X					0.880	22.35	0.615	16.26	0.556	14.12			161.85	28.34
C1100-125-1000-X					1.000	25.40	0.684	18.16	0.603	15.32			135.95	23.81
C1100-125-1250-X					1.250	31.75	0.829	22.10	0.699	17.75			101.96	17.86
C1100-125-1500-X					1.500	38.10	0.974	26.04	0.796	20.22			81.55	14.28
C1100-125-1750-X					1.750	44.45	1.119	29.97	0.893	22.68			67.97	11.90
C1100-125-2000-X			0.125	3.18	2.000	50.80	1.263	33.91	0.989	25.12	42.90	190.82	58.23	10.20
C1100-125-2250-X					2.250	57.15	1.408	37.85	1.086	27.58			50.98	8.93
C1100-125-2500-X					2.500	63.50	1.553	41.76	1.183	30.05			45.32	7.94
C1100-125-3000-X					3.000	76.20	1.843	49.63	1.376	34.95			37.07	6.49
C1100-125-3500-X					3.500	88.90	2.134	57.51	1.569	39.85			31.40	5.50
C1100-125-4000-X					4.000	101.60	2.420	65.38	1.763	44.78			27.16	4.76
C1100-125-4500-X					4.500	114.30	2.712	73.25	1.956	49.68			23.99	4.20
C1100-135-1500-X					1.500	38.10	1.017	27.18	0.874	22.20			111.37	19.50
C1100-135-2000-X					2.000	50.80	1.321	35.43	1.092	27.74			79.22	13.87
C1100-135-2500-X					2.500	63.50	1.626	43.69	1.310	33.27			61.48	10.77
C1100-135-3000-X			0.135	3.43	3.000	76.20	1.930	51.94	1.528	38.81	53.75	239.08	50.23	8.80
C1100-135-3500-X					3.500	88.90	2.232	60.22	1.746	44.35			42.40	7.43
C1100-135-4000-X					4.000	101.60	2.537	68.48	1.964	49.89			36.74	6.43
C1100-135-4500-X					4.500	114.30	2.841	76.73	2.182	55.42			32.40	5.67
C1100-135-5000-X					5.000	127.00	3.146	84.99	2.400	60.96			28.99	5.08
C1225-085-0875-X					0.880	22.35	0.429	12.37	0.330	8.38			30.49	5.34
C1225-085-1000-X					1.000	25.40	0.470	13.64	0.351	8.92			25.91	4.54
C1225-085-1500-X					1.500	38.10	0.650	19.28	0.434	11.02			16.16	2.83
C1225-085-2000-X					2.000	50.80	0.830	24.89	0.518	13.16			11.75	2.06
C1225-085-2500-X			0.085	2.16	2.500	63.50	1.014	30.51	0.601	15.27	13.74	61.12	9.25	1.62
C1225-085-3000-X					3.000	76.20	1.187	36.14	0.684	17.37			7.58	1.33
C1225-085-3500-X					3.500	88.90	1.385	41.76	0.768	19.51			6.50	1.14
C1225-085-4000-X					4.000	101.60	1.538	47.37	0.851	21.62			5.58	0.98
C1225-085-4500-X					4.500	114.30	1.751	53.01	0.934	23.72			5.00	0.88
C1225-085-5000-X					5.000	127.00	1.887	58.62	1.018	25.86			4.41	0.77
C1225-096-0875-X					0.880	22.35	0.493	13.74	0.377	9.58			49.65	8.69
C1225-096-1000-X					1.000	25.40	0.542	15.21	0.402	10.21			41.98	7.35
C1225-096-1250-X					1.250	31.75	0.650	18.42	0.452	11.48			32.07	5.62
C1225-096-1500-X					1.500	38.10	0.758	21.62	0.502	12.75			25.91	4.54
C1225-096-1750-X					1.750	44.45	0.866	24.82	0.552	14.02			21.74	3.81
C1225-096-2000-X					2.000	50.80	0.974	28.02	0.602	15.29			18.74	3.28
C1225-096-2250-X	1.225	31.12	0.096	2.44	2.250	57.15	1.084	31.22	0.652	16.56	19.23	85.53	16.49	2.89
C1225-096-2500-X					2.500	63.50	1.188	34.42	0.702	17.83			14.66	2.57
C1225-096-2750-X					2.750	69.85	1.298	37.62	0.752	19.10			13.24	2.32
C1225-096-3000-X					3.000	76.20	1.408	40.82	0.802	20.37			12.08	2.12
C1225-096-3500-X					3.500	88.90	1.623	47.22	0.902	22.91			10.25	1.79
C1225-096-4000-X					4.000	101.60	1.843	53.62	1.002	25.45			8.91	1.56
C1225-096-4500-X					4.500	114.30	2.070	60.02	1.102	27.99			7.91	1.39
C1225-096-5000-X					5.000	127.00	2.284	66.42	1.202	30.53			7.08	1.24
C1225-105-0875-X					0.880	22.35	0.515	14.38	0.421	10.69			68.72	12.03
C1225-105-1000-X					1.000	25.40	0.567	15.93	0.450	11.43			57.89	10.14
C1225-105-1250-X					1.250	31.75	0.680	19.28	0.510	12.95			43.98	7.70
C1225-105-1500-X					1.500	38.10	0.792	22.63	0.569	14.45			35.40	6.20
C1225-105-2000-X			0.105	2.67	2.000	50.80	1.020	29.31	0.688	17.48	25.07	111.50	25.57	4.48
C1225-105-2500-X					2.500	63.50	1.246	36.02	0.807	20.50			19.99	3.50
C1225-105-3000-X					3.000	76.20	1.472	42.72	0.926	23.52			16.41	2.87
C1225-105-3500-X					3.500	88.90	1.698	49.43	1.045	26.54			13.91	2.44
C1225-105-4000-X					4.000	101.60	1.925	56.11	1.164	29.57			12.08	2.12



TO ORDER: WWW.ASRAYMOND.COM OR SEE PHONE & FAX NUMBERS ON BACK COVER

SPEC

316 STAINLESS STEEL

Catalog Number	Outside Diameter (OD)		Wire Diameter (d)		Free Length (L) Approx.		Load Length (L1)		Solid Height (Sh) Approx.		Load (P) at L1		Spring Rate (R)					
	in	mm	in	mm	in	mm	in	mm	in	mm	lb	N	lb/in	N/mm				
C1225-105-4500-X			0.105	2.67	4.500	114.30	2.149	62.81	1.283	32.59	25.07	111.50	10.66	1.87				
C1225-105-5000-X					5.000	127.00	2.383	69.52	1.402	35.61			9.58	1.68				
C1225-112-0875-X			0.112	2.84	0.880	22.35	0.542	14.86	0.455	11.56	29.57	131.54	87.55	15.33				
C1225-112-1000-X					1.000	25.40	0.597	16.46	0.488	12.40			73.47	12.87				
C1225-112-1250-X					1.250	31.75	0.718	19.94	0.556	14.12			55.56	9.73				
C1225-112-1500-X					1.500	38.10	0.838	23.39	0.623	15.82			44.65	7.82				
C1225-112-2000-X					2.000	50.80	1.078	30.35	0.757	19.23			32.07	5.62				
C1225-112-2500-X					2.500	63.50	1.321	37.29	0.891	22.63			25.07	4.39				
C1225-112-3000-X					3.000	76.20	1.557	44.22	1.026	26.06			20.49	3.59				
C1225-112-3500-X					3.500	88.90	1.801	51.16	1.160	29.46			17.41	3.05				
C1225-112-4000-X					4.000	101.60	2.039	58.12	1.294	32.87			15.08	2.64				
C1225-125-0875-X					0.125	3.18	0.880	22.35	0.591	15.72			0.517	13.13	38.78	172.49	134.36	23.53
C1225-125-1000-X			1.000	25.40			0.654	17.45	0.558	14.17	111.96	19.61						
C1225-125-1250-X			1.250	31.75			0.788	21.16	0.639	16.23	83.97	14.70						
C1225-125-1500-X			1.500	38.10			0.922	24.84	0.721	18.31	67.14	11.76						
C1225-125-1750-X			1.750	44.45			1.057	28.55	0.803	20.40	55.98	9.80						
C1225-125-2000-X			2.000	50.80			1.192	32.26	0.885	22.48	47.98	8.40						
C1225-125-2250-X			2.250	57.15			1.326	35.94	0.966	24.54	41.98	7.35						
C1225-125-2500-X			2.500	63.50			1.461	39.65	1.048	26.62	37.32	6.54						
C1225-125-2750-X			2.750	69.85			1.595	43.36	1.130	28.70	33.57	5.88						
C1225-125-3000-X			3.000	76.20			1.732	47.04	1.212	30.78	30.57	5.35						
C1225-125-3500-X			0.135	3.43	3.500	88.90	1.998	54.46	1.375	34.93	48.63	216.29	25.82	4.52				
C1225-125-4000-X					4.000	101.60	2.269	61.85	1.539	39.09			22.41	3.92				
C1225-125-4500-X					4.500	114.30	2.536	69.24	1.702	43.23			19.74	3.46				
C1225-125-5000-X					5.000	127.00	2.804	76.66	1.865	47.37			17.66	3.09				
C1225-135-0880-X					0.880	22.35	0.614	16.33	0.565	14.35			182.59	31.97				
C1225-135-1000-X					1.000	25.40	0.681	18.19	0.609	15.47			152.52	26.71				
C1225-135-1250-X					1.250	31.75	0.822	22.07	0.702	17.83			113.62	19.90				
C1225-135-1500-X					1.500	38.10	0.963	25.93	0.795	20.19			90.55	15.86				
C1225-135-2000-X					2.000	50.80	1.245	33.71	0.982	24.94			64.39	11.28				
C1225-135-2500-X					2.500	63.50	1.527	41.45	1.168	29.67			49.98	8.75				
C1225-135-3000-X			3.000	76.20	1.809	49.23	1.354	34.39	40.82	7.15								
C1225-135-3500-X			3.500	88.90	2.090	56.97	1.540	39.12	34.49	6.04								
C1225-148-0880-X			0.148	3.76	0.880	22.35	0.645	17.12	0.621	15.77	63.67	283.20	270.73	47.41				
C1225-148-1000-X					1.000	25.40	0.716	19.08	0.673	17.09			224.58	39.33				
C1225-148-1250-X					1.250	31.75	0.866	23.19	0.781	19.84			165.68	29.01				
C1225-148-1500-X	1.225	31.12			1.500	38.10	1.015	27.31	0.888	22.56			131.28	22.99				
C1225-148-2000-X					2.000	50.80	1.314	35.51	1.104	28.04			92.80	16.25				
C1225-148-2500-X					2.500	63.50	1.612	43.74	1.319	33.50			71.72	12.56				
C1225-148-3000-X					3.000	76.20	1.911	51.94	1.534	38.96			58.48	10.24				
C1225-148-3500-X					3.500	88.90	2.209	60.17	1.749	44.42			49.31	8.64				
C1225-148-4000-X					4.000	101.60	2.507	68.38	1.965	49.91			42.65	7.47				
C1225-148-4500-X					4.500	114.30	2.805	76.61	2.180	55.37			37.57	6.58				
C1225-148-5000-X			5.000	127.00	3.103	84.81	2.395	60.83	33.57	5.88								
C1225-162-1000-X			0.162	4.11	1.000	25.40	0.766	20.14	0.727	18.47	80.67	358.80	345.36	60.48				
C1225-162-1500-X					1.500	38.10	1.094	28.96	0.965	24.51			198.50	34.76				
C1225-162-2000-X					2.000	50.80	1.421	37.74	1.204	30.58			139.28	24.39				
C1225-162-2500-X					2.500	63.50	1.748	46.56	1.442	36.63			107.29	18.79				
C1225-162-3000-X					3.000	76.20	2.075	55.37	1.680	42.67			87.22	15.27				
C1225-162-3500-X					3.500	88.90	2.402	64.16	1.918	48.72			73.47	12.87				
C1225-162-4000-X					4.000	101.60	2.729	72.97	2.157	54.79			63.47	11.11				
C1225-162-4500-X					4.500	114.30	3.057	81.79	2.395	60.83			55.89	9.79				
C1225-162-5000-X					5.000	127.00	3.383	90.60	2.633	66.88			49.90	8.74				
C1225-177-1500-X					0.177	4.5	1.500	38.10	1.165	30.23			1.057	26.85	98.57	438.42	294.05	51.49
C1225-177-2000-X			2.000	50.80			1.519	39.50	1.325	33.66	204.75	35.86						
C1225-177-2500-X			2.500	63.50			1.872	48.77	1.594	40.49	157.02	27.50						
C1225-177-3000-X			3.000	76.20			2.226	58.04	1.862	47.29	127.37	22.30						
C1225-177-3500-X			3.500	88.90			2.580	67.31	2.130	54.10	107.12	18.76						
C1225-177-4000-X			4.000	101.60			2.933	76.56	2.398	60.91	92.38	16.18						
C1225-177-4500-X			4.500	114.30			3.288	85.83	2.666	67.72	81.30	14.24						
C1225-177-5000-X			5.000	127.00			3.641	95.10	2.934	74.52	72.55	12.70						
C1225-192-1500-X			0.192	4.88			1.500	38.10	1.227	31.39	1.139	28.93	117.39	522.17			429.91	75.29
C1225-192-2000-X							2.000	50.80	1.605	41.10	1.435	36.45					296.88	51.99
C1225-192-2500-X					2.500	63.50	1.982	50.80	1.730	43.94	226.74	39.71						
C1225-192-3000-X					3.000	76.20	2.360	60.50	2.025	51.44	183.43	32.12						
C1225-192-3500-X					3.500	88.90	2.737	70.21	2.321	58.95	153.94	26.96						
C1225-192-4000-X					4.000	101.60	3.115	79.88	2.616	66.45	132.70	23.24						
C1225-192-4500-X					4.500	114.30	3.493	89.59	2.912	73.96	116.54	20.41						
C1225-192-5000-X					5.000	127.00	3.871	99.29	3.207	81.46	103.96	18.21						
C1225-207-2000-X					0.207	5.26	2.000	50.80	1.653	42.39	1.543	39.19			145.77	648.39	420.50	73.64
C1225-207-2500-X							2.500	63.50	2.044	52.45	1.867	47.42					319.71	55.99
C1225-207-3000-X			3.000	76.20			2.435	62.51	2.190	55.63	257.90	45.16						
C1225-207-3500-X			3.500	88.90			2.825	72.57	2.514	63.86	216.08	37.84						



316 STAINLESS STEEL

Catalog Number	Outside Diameter (OD)		Wire Diameter (d)		Free Length (L) Approx.		Load Length (L1)		Solid Height (Sh) Approx.		Load (P) at L1		Spring Rate (R)							
	in	mm	in	mm	in	mm	in	mm	in	mm	lb	N	lb/in	N/mm						
C1225-207-4000-X	1.225	31.12	0.207	5.26	4.000	101.60	3.216	82.60	2.837	72.06	145.77	648.39	185.93	32.56						
C1225-207-4500-X					4.500	114.30	3.607	92.66	3.161	80.29			163.18	28.58						
C1225-207-5000-X					5.000	127.00	3.998	102.72	3.484	88.49			145.44	25.47						
C1460-112-1500-X	1.460	37.08	0.112	2.84	1.500	38.10	0.773	21.95	0.531	13.49	25.00	111.20	34.40	6.02						
C1460-112-2000-X					2.000	50.80	0.986	28.32	0.629	15.98			24.66	4.32						
C1460-112-2500-X					2.500	63.50	1.201	34.70	0.727	18.47			19.24	3.37						
C1460-112-3000-X					3.000	76.20	1.420	41.07	0.825	20.96			15.83	2.77						
C1460-112-3500-X					3.500	88.90	1.636	47.45	0.924	23.47			13.41	2.35						
C1460-112-4000-X					4.000	101.60	1.841	53.82	1.022	25.96			11.58	2.03						
C1460-125-1500-X					0.125	3.18	3.18	3.18	1.500	38.10			0.851	23.19	0.616	15.65	32.83	146.01	50.56	8.85
C1460-125-2000-X									2.000	50.80			1.092	29.95	0.738	18.75			36.15	6.33
C1460-125-2500-X									2.500	63.50			1.331	36.68	0.859	21.82			28.07	4.92
C1460-125-3000-X									3.000	76.20			1.572	43.41	0.981	24.92			22.99	4.03
C1460-125-3500-X	3.500	88.90	1.809	50.17					1.102	27.99	19.41	3.40								
C1460-125-4000-X	4.000	101.60	2.049	56.90					1.224	31.09	16.83	2.95								
C1460-135-1500-X	0.135	3.43	3.43	3.43					1.500	38.10	0.884	24.16	0.682	17.32	41.20	183.27			66.89	11.71
C1460-135-2000-X									2.000	50.80	1.134	31.19	0.823	20.90					47.56	8.33
C1460-135-2500-X									2.500	63.50	1.383	38.23	0.963	24.46					36.90	6.46
C1460-135-3000-X									3.000	76.20	1.634	45.26	1.103	28.02					30.15	5.28
C1460-135-3500-X					3.500	88.90	1.884	52.30	1.243	31.57	25.49	4.46								
C1460-135-4000-X					4.000	101.60	2.134	59.33	1.393	35.38	22.07	3.86								
C1460-148-1500-X					0.148	3.76	3.76	3.76	1.500	38.10	0.930	25.40	0.768	19.51			54.03	240.31	94.71	16.59
C1460-148-2000-X									2.000	50.80	1.192	32.82	0.933	23.70					66.89	11.71
C1460-148-2500-X									2.500	63.50	1.456	40.26	1.098	27.89					51.73	9.06
C1460-148-3000-X									3.000	76.20	1.718	47.68	1.263	32.08					42.15	7.38
C1460-148-3500-X	3.500	88.90	1.981	55.09					1.428	36.27	35.57	6.23								
C1460-148-4000-X	4.000	101.60	2.247	62.53					1.593	40.46	30.82	5.40								
C1460-162-1500-X	0.162	4.11	4.11	4.11					1.500	38.10	0.993	26.70	0.857	21.77	68.57	304.98			135.28	23.69
C1460-162-2000-X									2.000	50.80	1.278	34.54	1.049	26.64					94.96	16.63
C1460-162-2500-X									2.500	63.50	1.563	42.39	1.241	31.52					73.14	12.81
C1460-162-3000-X									3.000	76.20	1.847	50.24	1.433	36.40					59.48	10.42
C1460-162-3500-X					3.500	88.90	2.130	58.09	1.625	41.28	50.06	8.77								
C1460-162-4000-X					4.000	101.60	2.417	65.94	1.817	46.15	43.32	7.59								
C1460-162-4500-X					4.500	114.30	2.699	73.79	2.009	51.03	38.07	6.67								
C1460-162-5000-X					5.000	127.00	2.983	81.64	2.201	55.91	33.99	5.95								
C1687-135-1500-X					1.687	42.85	0.135	3.43	1.500	38.10	0.831	22.94	0.605	15.37			35.89	159.63	53.65	9.40
C1687-135-2000-X									2.000	50.80	1.059	29.49	0.714	18.14					38.15	6.68
C1687-135-2500-X	2.500	63.50	1.286	36.02					0.823	20.90	29.57	5.18								
C1687-135-3000-X	3.000	76.20	1.514	42.57					0.932	23.67	24.16	4.23								
C1687-135-3500-X	3.500	88.90	1.741	49.10					1.041	26.44	20.41	3.57								
C1687-135-4000-X	4.000	101.60	1.968	55.65					1.150	29.21	17.66	3.09								
C1687-135-4500-X	4.500	114.30	2.196	62.20					1.259	31.98	15.58	2.73								
C1687-135-5000-X	5.000	127.00	2.420	68.73					1.368	34.75	13.91	2.44								
C1687-148-1500-X	0.148	3.76	3.76	3.76					1.500	38.10	0.870	24.05	0.682	17.32	47.10	209.50			74.72	13.08
C1687-148-2000-X									2.000	50.80	1.108	30.94	0.812	20.62					52.81	9.25
C1687-148-2500-X					2.500	63.50	1.346	37.80	0.942	23.93	40.82	7.15								
C1687-148-3000-X					3.000	76.20	1.583	44.65	1.071	27.20	33.24	5.82								
C1687-148-3500-X					3.500	88.90	1.822	51.54	1.201	30.51	28.07	4.92								
C1687-148-4000-X					4.000	101.60	2.057	58.39	1.331	33.81	24.24	4.24								
C1687-148-4500-X					4.500	114.30	2.300	65.28	1.461	37.11	21.41	3.75								
C1687-148-5000-X					5.000	127.00	2.531	72.14	1.590	40.39	19.08	3.34								
C1687-162-1500-X					0.162	4.11	4.11	4.11	1.500	38.10	0.929	25.25	0.765	19.43			59.84	266.15	104.79	18.35
C1687-162-2000-X									2.000	50.80	1.186	32.49	0.918	23.32					73.47	12.87
C1687-162-2500-X	2.500	63.50	1.444	39.70					1.070	27.18	56.64	9.92								
C1687-162-3000-X	3.000	76.20	1.701	46.94					1.223	31.06	46.06	8.07								
C1687-162-3500-X	3.500	88.90	1.959	54.18					1.376	34.95	38.82	6.80								
C1687-162-4000-X	4.000	101.60	2.213	61.42					1.529	38.84	33.49	5.86								
C1687-162-4500-X	4.500	114.30	2.471	68.66					1.682	42.72	29.49	5.16								
C1687-162-5000-X	5.000	127.00	2.727	75.87					1.835	46.61	26.32	4.61								
C1687-177-1500-X	0.177	4.50	4.50	4.50					1.500	38.10	1.004	26.49	0.851	21.62	73.35	326.25			148.02	25.92
C1687-177-2000-X									2.000	50.80	1.288	34.11	1.029	26.14					103.04	18.04
C1687-177-2500-X					2.500	63.50	1.572	41.76	1.207	30.66	79.05	13.84								
C1687-177-3000-X					3.000	76.20	1.855	49.38	1.385	35.18	64.06	11.22								
C1687-177-3500-X					3.500	88.90	2.139	57.00	1.563	39.70	53.90	9.44								
C1687-177-4000-X					4.000	101.60	2.422	64.64	1.741	44.22	46.48	8.14								
C1687-177-4500-X					4.500	114.30	2.707	72.26	1.920	48.77	40.90	7.16								
C1687-177-5000-X					5.000	127.00	2.990	79.91	2.098	53.29	36.49	6.39								
C1687-192-1500-X					0.192	4.88	4.88	4.88	1.500	38.10	1.075	27.66	0.934	23.72			87.66	389.93	206.08	36.09
C1687-192-2000-X									2.000	50.80	1.384	35.69	1.137	28.88					142.36	24.93
C1687-192-2500-X	2.500	63.50	1.694	43.71					1.340	34.04	108.71	19.04								
C1687-192-3000-X	3.000	76.20	2.003	51.74					1.543	39.19	87.96	15.40								
C1687-192-3500-X	3.500	88.90	2.312	59.77					1.747	44.37	73.80	12.92								
C1687-192-4000-X	4.000	101.60	2.623	67.79					1.950	49.53	63.64	11.14								



TO ORDER: WWW.ASRAYMOND.COM OR SEE PHONE & FAX NUMBERS ON BACK COVER

SPEC



316 STAINLESS STEEL

Catalog Number	Outside Diameter (OD)		Wire Diameter (d)		Free Length (L) Approx.		Load Length (L1)		Solid Height (Sh) Approx.		Load (P) at L1		Spring Rate (R)	
	in	mm	in	mm	in	mm	in	mm	in	mm	lb	N	lb/in	N/mm
C1687-192-4500-X	1.687	42.85	0.192	4.88	4.500	114.30	2.932	75.82	2.153	54.69	87.66	389.93	55.89	9.79
C1687-192-5000-X					5.000	127.00	3.240	83.87	2.356	59.84			49.81	8.72
C1937-148-2000-X					2.000	50.80	1.040	29.41	0.716	18.19			42.98	7.53
C1937-148-2500-X					2.500	63.50	1.259	35.84	0.817	20.75			33.24	5.82
C1937-148-3000-X					3.000	76.20	1.476	42.27	0.919	23.34			27.07	4.74
C1937-148-3500-X					3.500	88.90	1.692	48.69	1.020	25.91			22.82	4.00
C1937-148-4000-X			0.148	3.76	4.000	101.60	1.910	55.12	1.122	28.50	41.26	183.52	19.74	3.46
C1937-148-4500-X					4.500	114.30	2.130	61.52	1.223	31.06			17.41	3.05
C1937-148-5000-X					5.000	127.00	2.351	67.95	1.324	33.63			15.58	2.73
C1937-148-5500-X					5.500	139.70	2.569	74.37	1.426	36.22			14.08	2.47
C1937-162-2000-X					2.000	50.80	1.111	30.78	0.810	20.57			58.98	10.33
C1937-162-2500-X					2.500	63.50	1.345	37.52	0.931	23.65			45.40	7.95
C1937-162-3000-X					3.000	76.20	1.579	44.25	1.052	26.72			36.90	6.46
C1937-162-3500-X					3.500	88.90	1.816	50.98	1.173	29.79			31.15	5.45
C1937-162-4000-X			0.162	4.11	4.000	101.60	2.050	57.71	1.293	32.84	52.46	233.32	26.91	4.71
C1937-162-4500-X					4.500	114.30	2.283	64.44	1.414	35.92			23.66	4.14
C1937-162-5000-X					5.000	127.00	2.521	71.15	1.535	38.99			21.16	3.71
C1937-162-5500-X					5.500	139.70	2.750	77.88	1.656	42.06			19.08	3.34
C1937-177-2500-X					2.500	63.50	1.469	39.34	1.054	26.77			62.39	10.93
C1937-177-3000-X					3.000	76.20	1.729	46.41	1.196	30.38			50.65	8.87
C1937-177-3500-X					3.500	88.90	1.988	53.47	1.339	34.01			42.57	7.45
C1937-177-4000-X					4.000	101.60	2.248	60.53	1.481	37.62			36.74	6.43
C1937-177-4500-X	1.937	49.19	0.177	4.50	4.500	114.30	2.509	67.61	1.624	41.25	64.36	286.25	32.32	5.66
C1937-177-5000-X					5.000	127.00	2.767	74.68	1.766	44.86			28.82	5.05
C1937-177-5500-X					5.500	139.70	3.024	81.74	1.908	48.46			25.99	4.55
C1937-177-6000-X					6.000	152.40	3.289	88.82	2.051	52.10			23.74	4.16
C1937-192-2500-X					2.500	63.50	1.589	41.15	1.176	29.87			84.47	14.79
C1937-192-3000-X					3.000	76.20	1.873	48.56	1.341	34.06			68.31	11.96
C1937-192-3500-X					3.500	88.90	2.157	55.98	1.505	38.23			57.31	10.04
C1937-192-4000-X					4.000	101.60	2.441	63.40	1.670	42.42			49.40	8.65
C1937-192-4500-X			0.192	4.88	4.500	114.30	2.726	70.82	1.834	46.58	76.99	342.45	43.40	7.60
C1937-192-5000-X					5.000	127.00	3.012	78.23	1.999	50.77			38.73	6.78
C1937-192-5500-X					5.500	139.70	3.294	85.65	2.164	54.97			34.90	6.11
C1937-192-6000-X					6.000	152.40	3.581	93.07	2.328	59.13			31.82	5.57
C1937-207-2500-X					2.500	63.50	1.648	42.93	1.297	32.94			112.79	19.75
C1937-207-3000-X					3.000	76.20	1.944	50.67	1.483	37.67			90.96	15.93
C1937-207-3500-X					3.500	88.90	2.240	58.45	1.670	42.42			76.22	13.35
C1937-207-4000-X					4.000	101.60	2.537	66.22	1.857	47.17			65.64	11.49
C1937-207-4500-X			0.207	5.26	4.500	114.30	2.831	73.99	2.044	51.92	96.06	427.29	57.56	10.08
C1937-207-5000-X					5.000	127.00	3.128	81.76	2.230	56.64			51.31	8.99
C1937-207-5500-X					5.500	139.70	3.422	89.51	2.417	61.39			46.23	8.10
C1937-207-6000-X					6.000	152.40	3.721	97.28	2.604	66.14			42.15	7.38

